




HUNTING MAGIC MOMENTS

STRAIGHT-PULL BOLT ACTION HELIX


MERKEL





 subscribe to our Youtube channel:
[youtube.com/user/MerkelDieJagd](https://www.youtube.com/user/MerkelDieJagd)

 follow us on Facebook:
[facebook.com/Merkel.hunting](https://www.facebook.com/Merkel.hunting)

 follow us on Google+:
<https://goo.gl/DWY2eT>



HUNTING MAGIC MOMENTS

Dear Huntresses & Hunters,
Dear Friends of Merkel,

Merkel introduced the Helix to the market in 2011 as a single product and it quickly gained an enthusiastic following. Since then we have constantly developed and added to the 'Helix System' that you can see today. After a lot of great & forward thinking ideas we moved forward with a holistic hunting rifle concept, ideally adjustable to different hunting requirements but still with a clear preference for the fast moving shot.

The central topic for this year is the addition of a new purpose built suppressor to the rifle system. We call it the HLX and it is built through a close partnership and expertise of the Swiss company B&T AG. From this cooperation emerged much more than classic hunting silencer for the occasional shot during static hunting. The DNA of the Helix is a weapon that can shoot fast but for those who wish to be ethically correct you must train for this discipline. With this in mind this suppressor was developed.

This has resulted in a moderator with excellent dampening values with acceptable dimensions, weight and of superior durability. A suppressor that, for the first time, allows for extensive training in the shooting cinema.

We wish you a captivating read, many more hunting magic moments - and of course the constructive hearing protection of a HLX.

Yours

A handwritten signature in white ink, appearing to be 'Olaf Sauer', written in a cursive style.

OLAF SAUER
Managing Director
Merkel Jagd- und Sportwaffen GmbH



CONTENTS



14

THE HELIX SPEEDSTER:

The open thumb-hole stock without the ergonomic deficits when reloading as well as an automatic height-adjustable stock comb

HUNTING STORIES



6 HLX SUPPRESSOR:

Compact, tough & black - suited for the continual practical use at the shooting cinema: the new over-barrel suppressor for the Helix



20 LADY DS

A woman's weapon: with specific stock dimensions for the rising amount of female hunters

HUNTING TALES

- 06-09 HLX – The suppressor for the Helix
- 10-11 i-Sight system: using open sights
- 48-49 Helix with a custom stock by Markus Leibinger

HUNTING TYPES

- 20-23 Helix Lady DS: A woman's weapon
- 24-27 Moose test in Sweden's vast open landscapes
- 32-37 Hannover and Opole: Helix on blood tracking for humane dispatch
- 40-43 Hunting Chamois on the other side of the world
- 50-51 Hunting the British Muntjac

HUNTERS' YARNS

- 28 The right calibre: three moose calibres
- 28 Luxury or basic: changing the stock
- 29 Pick up your backpack and go test firing
- 38 Blood tracking tips
- 38 Mounting # 1: the Picatinny rail
- 39 Mounting # 2: the Dentler Vario mount
- 44 Noteworthy: Ballistics in the mountains
- 44 Always a good rest: 4 stable stick
- 45 Rangefinder and ballistics calculator
- 45 Precise trigger pulling: The TAR-GT trigger

THE HELIX IN DETAIL

- 12-13 Traveling rifle: the Helix as globetrotter
- 14-17 Helix Speedster: the newly defined thumb-hole stock
- 18-19 Ergonomics: bang-reload-bang!
- 30-31 Theme: Helix – a wealth of variations
- 46-47 Theme: The Suhl recipe for success
- 52-57 For every hunting need: the different Helix models
- 58-59 Hand made values: bespoke guns
- 60-61 Barrels and their forms
- 62-64 Accessories: everything around the Helix
- 65-67 Always dressed to the occasion: Merkel GEAR

PUBLISHING DETAILS

Hunting Magic Moments is a publication of the Merkel Jagd- & Sportwaffen GmbH, Schützenstraße 26, 98527 Suhl. Responsible in the sense of press law: Olaf Sauer. Realisation, graphics and editing: id pool GmbH, Stuttgart, story based marketing.

HUNTING TYPES



THE MOOSE TEST

Johan Persson and Snoa hunt moose together in the Swedish Taiga

24



BLOOD TRACKING

The tracking team needs a good dog and the Helix Tracker

32



NEW ZEALAND

Philippe Jaeger and chamois hunting on the other side of the world

40



NEW HLX SUPPRESSOR - 32.7 dB(C): **THE THICK END**

Compact, tough & black -
and well suited for the shooting cinema

Text: Katharina Rannacher Photos: Christof Wolf

Many of the general purpose sound moderators, on the market today, align and refer to the amount a weapon shoots during its lifetime and this is not always a lot. The fast Helix however is purposefully made for the moving shot and this should involve regular training on a range or shooting cinema which does demand strenuous work of the product. In combination with the Swiss silencer specialist B&T, Merkel is treading a new path with the HLX.



HELIX SPEEDSTER OR WITH HLX



For a long time, Merkel has worked in co-operation with B&T AG, which has set standards of the provision of silencers to the military and law enforcement sector. The new hunting suppressor HLX is a distillation of over 30 years of experience of the Swiss engineers. The silencer is constructed from high-alloyed aluminium parts and combines excellent sound reduction values with a compact build and a long product life during training. **It has a sound reduction value of an astonishing 32.7dB(C) using a .308W calibre semi-weight barrel.** A really good figure, taking into account the compact dimensions of the suppressor as well as the short barrel.

SHOOTING CINEMA QUALITY: 30 ROUND TEST

The HLX silencer uses a technology to temper the gases at the muzzle, which until recently, had only been reserved for professionals (this refers to the typical B&T star blinds). The HLX has a row of four, three-dimensional aluminium baffles with a characteristic star



geometry. This gives a combination of very good durability plus high sound reduction values. Using a standard calibre a continual 30 rounds can be fired under practice conditions. At this level the suppressor becomes very hot and any normal moderator, put under such stress, with normal blinds & inlays out of steel wool – can often not withstand this.

The design of the HLX shows it to be a professional quality suppressor where gripping recesses on the base of the silencer allow for quickly taking on and off even if a higher torque is necessary under harsh conditions of many shots.

In practical testing the first shot through every sound moderator is noticeably louder (physical restriction) than the following shots. The HLX excels through a convincing first-shot sound moderation that surpasses that of many standard silencer models at the first shot already.



The HLX has a diameter of 49 millimetres and weighs a mere 430 grams, with a length of only 200 millimetres and only protrusion of 147 millimetres over the muzzle. The name HLX is a play with words: the vowels of Helix were simply “dampened” away.

PROFESSIONAL SILENCER AS A STANDARD

The HLX can be mounted on any M15x1 rifle muzzle thread (if the front sight allows this). For this situation, Merkel has developed the ‘i-Sight system’ and it is now standard for every Helix. The front sight of the system is only fixed with one screw and can easily be removed for the use of the HLX and then easily reattached for a tracking or a short distance follow up, in the same way.

Lutz Morgenroth, Technical Director at Merkel: “Enforcement suppressors have to naturally withstand the vigour’s of training and it was to this standard we had built the HLX suppressor. Contrary to other suppressor baffles, the suppressor with star baffles is a lot more durable.” For safety reasons it is not intended to dismantle the sound moderator. To clean the unit, flush & soak with thin oil, then wash it out and dry. ■



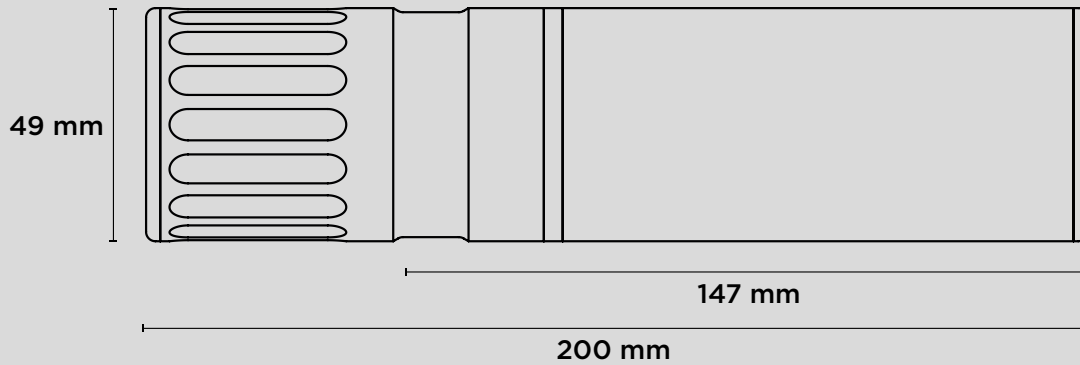
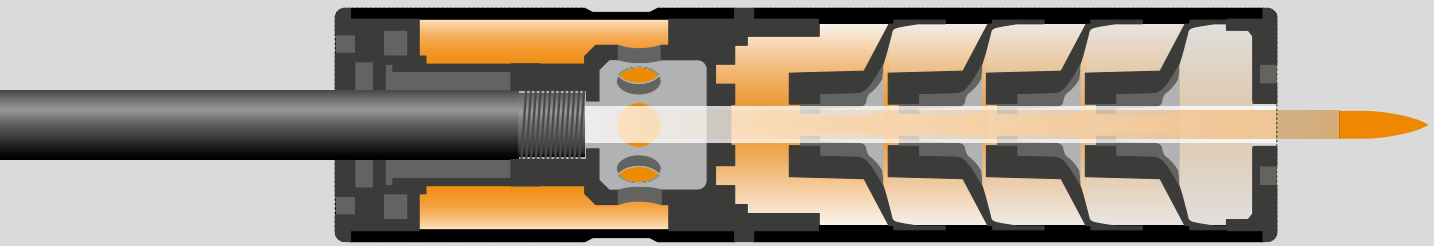
HLX on a 1:1 scale. The new over-barrel suppressor dampens 32.7 dB(C) in standard calibres.



Filming in the silencer test laboratory of B&T AG in Thun, Switzerland. This is a shooting range with sound-proof walls where many legendary silencer-concepts have been developed along, of course, the new HLX suppressor. The product video shows the advantages of the new hunting suppressor – and Marketing Director Jean Freyisen is making the simple task of cleaning the product.



LINK ZUM FILM:
<https://bit.ly/2UeVGO8>



Star baffles are the trademark of many of B&T's professional suppressors and four of them are used in the HLX. High durability and great sound reduction are the positive result.

Star baffles – just like the professionals use

The B&T AG from Thun (Switzerland) is the international authority in silencers for police and military forces. The specialists have developed a special hunting suppressor for the Helix, which uses the construction principles of the professional range of moderators to the hunting industry. We have interviewed company founder, Karl "Käru" Brügger.

WHAT IS IT THAT MAKES OUR NEW HLX SUPPRESSOR SO INTERESTING AS A PRODUCT?

KB: There is only so much that you can calculate on paper before designing a new product to suit a calibre variety, and this can be insufficient. We do much research along with the calculations but much is trial and error. Our strength as a business is of having over 30 years of experience in producing the best silencers. You could say (grinning): A suppressor is 80% experience, 10% calculation – and only 10% manufacturing!

WHERE DO THE PRIORITIES OF A SILENCER DEVELOPMENT LIE?

KB: A suppressor is always a compromise of size, weight and sound dampening value – the larger and heavier, the better it will dampen. But this also restricts its handiness, which is essential for every hunter. This is why we have developed a silencer for Merkel with a construction principle that is something special in its class.

WHAT ARE THE FEATURES OF THE NEW HLX SUPPRESSOR?

KB: The HLX is a star baffle suppressor. It is constructed out of single aluminium baffles in a row. They are robust, three-dimensional milled aluminium parts – using little material, a high durability and dampening value can be combined using them. This is pretty much unique in this class of silencer and helps towards its intended use: Hunting suppressors are not normally high usage as most forms are single shot. However the Helix is different and to utilise its potential on driven hunts the hunter must train on a shooting cinema for fast repetitive shots. This is now a reality with the HLX suppressor! This is why we developed this particular hunting suppressor to the same exacting requirements of an enforcement suppressor: One goal was a high durability while training – at standard hunting market dimensions.



With the Helix and the HLX in the silencer laboratory.



The Helix can now be converted easily from driven hunt to blood tracking scenario with a few simple changes.

USING OPEN SIGHTS

The new i-Sight system is now standard on the Helix to give full flexibility

Text: Holger Siegel | Photos: Christof Wolf

A single rifle with a list of challenges during the hunt: A fast shot on the driven hunt behind the shoulder and the beast is on its death run leaving a trail of blood, an adult wild boar will head for the thickest of cover. This immediately changes the situation of the hunter as well as the requirements of the rifle from one situation to another. The Helix Speedster with HLX suppressor can now be changed to a tracking gun for work close up and in dense vegetation.

Thanks to the new i-Sight system, which is now standard on linear bolt-action Helix, you can mount directly the new HLX suppressor which allows hearing-protection and precise shot placement. Especially during the driven hunt where ear protectors can obstruct the stock position on the cheek as well as inhibit the hearing of the hunter.

But now we have to go in the thick cover, to where the laboured breathing of a wounded animal can be heard. It is time to eliminate the parallax for the shot on a short distance by removing the scope. Using the i-Sight system, the suppressor is quickly removed and the open sights installed with the tightening of a single 'Alan key' screw. The retrieval and dispatch of injured game can continue.



The M15x1 muzzle thread is now a standard on all Helix models and is the connection for the various accessories: Suppressor, muzzle break or muzzle sling swivel..



Factory barrels - the front sight is fitted on the covered muzzle thread.



Standard suppressor - the front sight is situated behind the muzzle thread. It is ready for a standard suppressor or a muzzle break.



Over-barrel suppressor - the open sights are detached. Ready for the use of the over-barrel suppressor. A variation to this is with the thread cap. Using a red-dot-sight, nothing obstructs the line of sight.



Blood-tracking - i-Sight sling swivel is mounted beneath the front sight. Into the bushes we go! Only for semi-weight barrels.

ONE SYSTEM - ALL POSSIBILITIES

The novelty of Merkels' i-Sight system is that it gives many options to the barrel. The i-Sight front sight can be mounted by simply using an Allen key and mounting can be done via two fixing positions.

Standard position is flush to the front end, covering over the muzzle thread and the thread cap. In this position the tracking sling swivel can also be fitted by removing the thread cap and screwing it onto the M15x1 thread and ensuring it is fixed to the left hand side of muzzle.

The sight is moved to the second fixing position when a

standard silencer or muzzle break is required to be fitted. The sights are completely removed when an over-barrel silencer is required, again threaded onto the end of the barrel thread. There is no infringement of line of sight this way or if a red-dot scope is to be used.

The aesthetics of the rifle have been taken into account, with the rear sight being fixed with the same intelligence. When the screw is loosened, it can be detached. This is an advantage as people often, for aesthetic reasons detach both sights when they are not required. The three M3 fixing holes in the barrel can be covered using polymer plugs. The sights can quickly be refitted again if needed. The small Allen key tool can then be stored in the butt stock of the Speedster.



The thought-through i-Sight System: Repeatable adjustment of the open sights to suit differing hunting scenarios.



GLOBETROTTER

The Helix on tour



1

Release the safety-function and press the button to remove the fore-end.



Over the past few years, hunting has changed enormously. People travel more – meaning hunting is also possible on holiday or during business trips. Small trunks, narrow hotel elevators, passing through turnstiles and also on the way to your own hunting ground, it's often an advantage to have a rifle that can be quickly disassembled and transported in a compact case. Or, thanks to interchangeable barrels, is suitable for different hunting conditions.

With its unique, simple Take-Down system, the HELIX was not only developed for hunting, but also for travelling.



Remove the barrel together with the bolt head.



2

Push the barrel lever forward to release the barrel clamp.



Ready to go: the Helix carrying case can fit an extra barrel, an scope and various pieces of equipment.



PURE ERGONOMICS

HELIX SPEEDSTER: THE NEWLY DEFINED THUMBHOLE STOCK

Text: Holger Siegel Photos: Daniel Beardsmore, Mikael Grennard

The Helix Speedster combines the fast straight-pull action of the Helix with a thumbhole stock development which bypasses all ergonomic disadvantages of the classic thumbhole constructs. As an “encore” the new model comes with an automatically height adjustable cheek-piece with memory function and many intelligent details.

Undisputed: the classic thumbhole stock has its advantages wherever a rested or leaned precision shot is taken. This type of hunting from the hide will possibly keep shaping day-today hunting – however when stalking or on a driven hunt, the classical thumbhole stock does not really offer advantages. Just the hand-cocking can be tricky for the joints of the fingers. And the threading of the thumb into the hole cost valuable time and precision. “Ergonomics work different,” says Lutz Morgenroth, Technical Director at Merkel: “The usual thumbhole stock definitely contradicts the speciality of the Helix. It’s preference is the fast shot and the driven hunt – and this is where the thumb-hole stock has ergonomic disadvantages.

The solution is an opened thumbhole stock. Merkel calls it the SpeedStock – and uses this to combine two classic stock principle into an ergonomic and fast novelty. The ergonomics of the stock leads hand and thumb as if on rails – while reloading and also back towards the shooting position. Also the cocking lever is can be operated from the open Omega-Grip without strain. When shooting, the stock system makes use of the

relaxed, non-contorted shooting position with the thumb in the steep Omega-pistolgrip. Merkel has perfected their stock design even further: the height adjustable cheek-piece of the Alpinist models has been automated for the SpeedStock. The Memory CheekPiece allows for a

reproducible shooting position on the cheek. A spring-loaded mechanism with individually adjustable memory function pushes the stock comb freely and silently into the previously adjusted position at the push of a button. The stock length is also easily adjustable to the hunters and their clothing. For this, Merkel offers butt-plate carriers in three different lengths, which can be exchanged without tools in regards to the respective season. The stock is fixed to the system via an eccentrically controlled connector in the pistol grip. This elegant solution makes sure, that there are no screw holes in the

handling area, as this is often disturbing in standard thumbhole stocks. The new stock is equipped with comfortable button-release sling swivels and the pistol grip offers enough space to carry a bore-snake inside – which his included in every Speedster.





THE AHEAD-OF-ITS-TIME-STOCK

This synthetic stock is truly avant-garde: it uses the advantages of the thumbhole stock for precision shooting and avoids its disadvantages while hand-cocking and reloading. Furthermore there is a number of intelligent details. Giving shape to its style is the Memory CheekPiece at the butt stock. The stocks geometry with a straight comb on level with the barrel axis transfers the recoil power linearly into the shoulder. The Helix Speedster universally redefines the thumbhole stock: on driven hunts or while stalking – but also in the hide.

1 VARIABLE BUTT-PLATES

The dampening butt-plate can be detached without tool and swapped for a stock lengthening or stock shortening plate. Utilising this, the stock can be adjusted to different shooters and different clothing thickness throughout the seasons.

2 MEMORY CHEEK PIECE

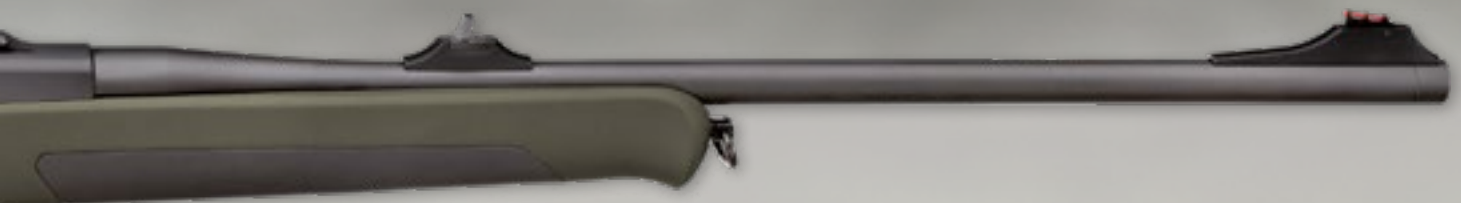
The height adjustable cheek piece automatically extends at the push of a button, provides a reproducible, linear shooting position. The previously adjusted height can be fixed thanks to a memory function – after the hunt, the cheek piece is pushed back into the stock.

3 OMEGA-GRIP

Top opened – this is the riddles solution. Simple handling of the cocking lever without straining and reloading as if led on rails. And during the shot, the steep pistol grip ensures perfect ergonomics when pulling the trigger.

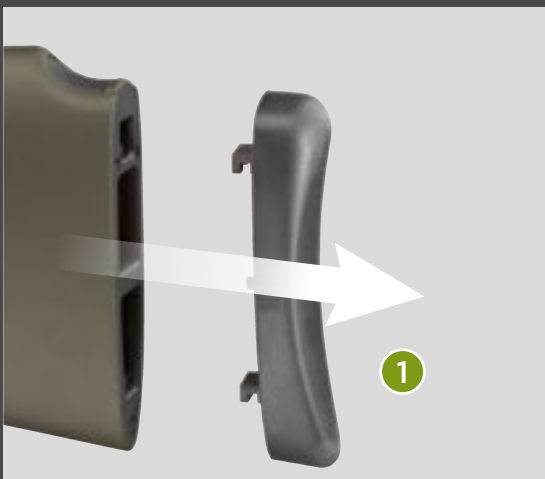
4 HIGH-TECH POLYMER

The stock is made from a high-tech polymer in a two-component process. Located on the pistol grip, fore-end and stock comp are anti-skidding soft-touch inlays. To ensure a better grip, the surface of the SpeedStock is grained.



4

HELIX SPEEDSTER



THEME: Ergonomics

CONCENTRATED RELOADING

Closed system: during rapid bolt action firing, nothing comes near the eye!



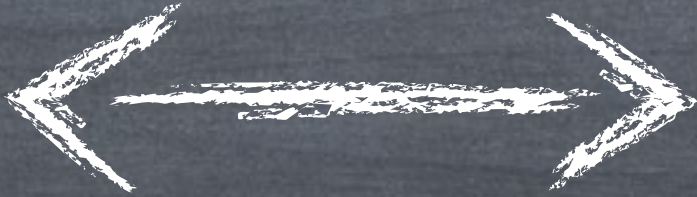
BOLT HANDLE

The bolt handle is located directly above the trigger.



GENUINE STRAIGHT-PULL

True linear rapid bolt action.
Short distance because of transmission.



INTUITIVE !!

When firing, the sequence of movements must come from the muscle memory – i.e. must have become second nature to the shooter. An intuitive rifle is an important precondition for successful shooting and safety of use. This is where the Helix sets standards.





RX.HELIX

LADY DS

HUNTRESS STOCKS

Text: Holger Siegel

Photos: Thomas Lange

BETTINA SCHMIDT, 2014-2015 HUNTING QUEEN OF BAYERISCHER JAGDVERBAND (BAVARIAN HUNTING ASSOCIATION) WITH HER HELIX LADY DS.



Bettina Schmidt with the try gun - Ronald Schmidt, master stock maker at Merkel, takes measurements.

THE WOMEN'S RIFLE

Stocks produced for huntresses - the Helix Lady DS

Hunting rifles are often made to standard dimensions. And, despite an increasing number of huntresses, standard still means... for men. Merkel is heading in a new direction. Instead of just shortening the stocks, the rifles have been adjusted to the female body. Lady stocks have been designed for both the Helix and the K3 single shot rifle.

It started with a realisation: "90 percent of huntresses go into their shooting positions differently to their male counterparts," according to master stock maker, Ronald Schmidt, who is managing the "Lady DS" project at Merkel. While men bend their heads over the stock in the shooting position and search for the sight line in the front third, the majority of women position themselves much more upright on the back part of the stock. The clear drop is made for men. When this "male" stock is held by a woman, the buttplate clearly protrudes upwards.

Ronald Schmidt explains: "We suddenly realised that the correct shooting position doesn't necessarily exist, instead there is just a typical male shooting position for which there is a stock and a typical female shooting position, for which there is no stock. We have developed this stock." Lady DS rifles enable the eye to come close to the sight line and the cheek to come close to the stock, even when the position is taken further back as it is typical for women. "And suddenly, the buttplate was where it should be, in the shoulder with no protrusion," says master stock maker Schmidt.

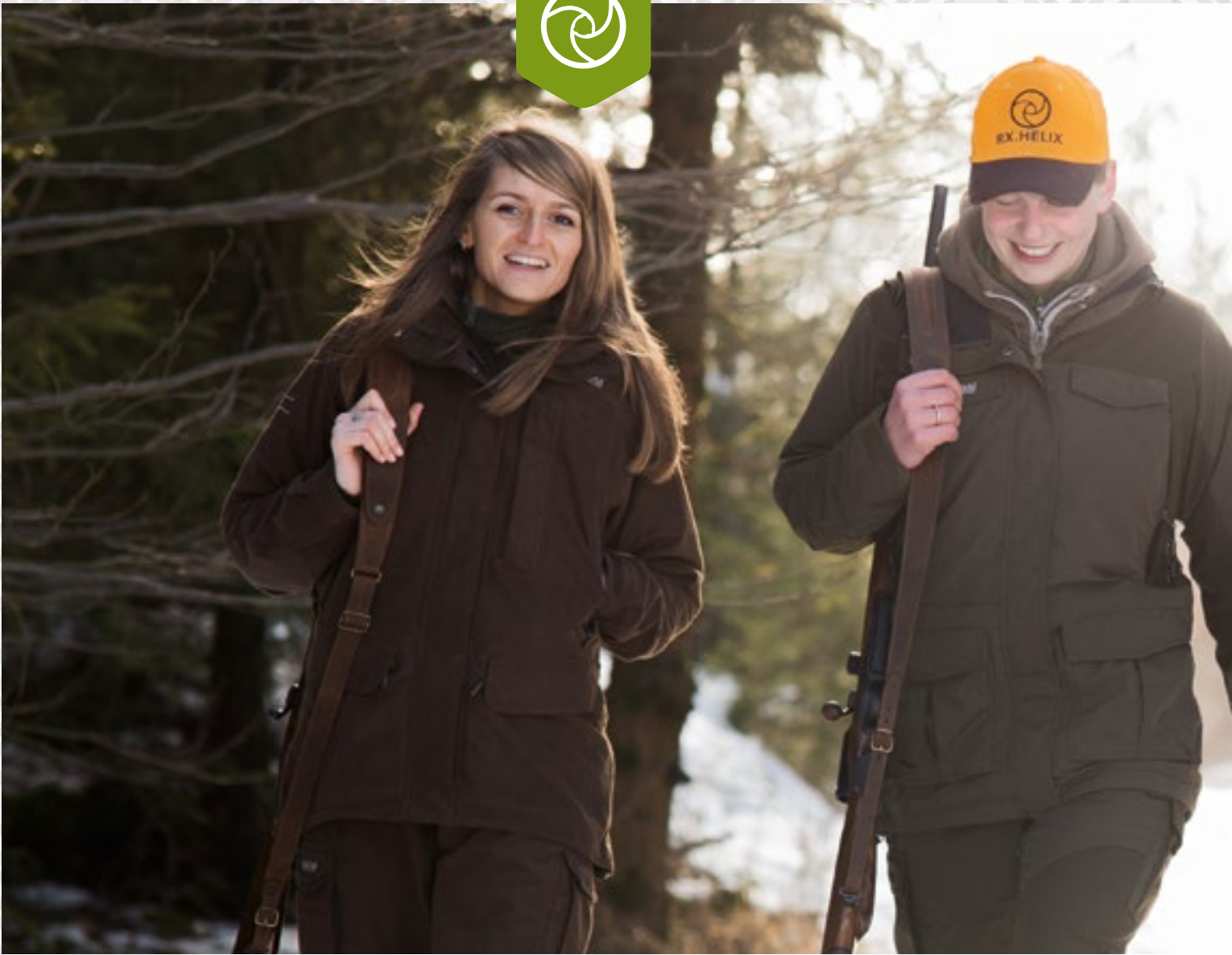


In order to perfect the effect, he combined the straight stock with a Monte Carlo cheekpiece. In doing so, the buttplate sits deeper than the comb. Using shortened stocks, a standard bolt can be hindering while fast repeating in shooting position. This is where the Helix shows off its special advantages. During rapid repeating, the bolt stays in the system casing because of the bolt transmission.

This allows for a very straight and high stock top edge, which at the same time makes the recoil more controllable - and a short stock.

SHORT BUT NOT AWKWARD

Further DS features are a steeper pistol grip to bring her fingers closer to the trigger and a buttplate with a great cushioning effect to absorb the recoil. The harmonious appearance of the stock and its proportions are maintained. "A stock that has been shortened using a saw, can easily appear awkward and the general appearance of the rifle suffers," says Mr Schmidt. ■



THE INTUITIVE RIFLE

The best Helix for the female body



Bettina Schmidt (née Frühwald) has been familiar with hunting since she was a child and regards her two-year honorary position as the hunting queen of the Bayerischer Jagdverband (Bavarian hunting association) (2014/2015) primarily as a way to cultivate the image of hunters. Bettina Schmidt, 32, has a Helix for personal use.

HOW DOES THE RIFLE FEEL?

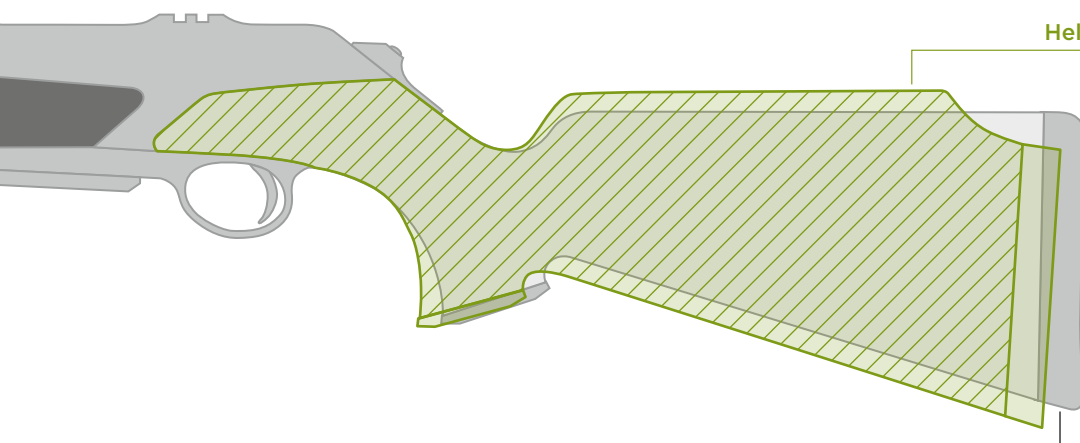
Bettina Schmidt: The Helix is a very intuitive rifle. You actually can't do anything wrong with it. Everything is in the correct place and the ergonomics are right. I want to be able to concentrate on hitting the target - not on other things.

HAVE YOU EXPERIENCE WITH OTHER RIFLES?

Bettina Schmidt: I also still have a classic rifle. But the Helix suits me better. It has a manual cocking lever, a bolt transmission and now also this stock specially for women. It's modern, it does the job.

HAVE YOU TRIED THE NEW LADY DS STOCKS?

Bettina Schmidt: A massive difference. It matches this rifle's intuitive and fast overall concept. You get into the shooting position and hit the target more quickly and more safely. The stock accommodates the female body.



Helix Lady DS custom-made stock

Helix standard stock

WHAT IS THE DIFFERENCE BETWEEN WOMEN AND MEN WHEN THEY ARE HUNTING?

Bettina Schmidt: Well, apart from the stocks? ... (she laughs) ... I think that in some situations women hunt more level-headedly. I am sometimes also rather more cautious. Otherwise I think that the sexes hunt in an equally target-orientated manner. There are also extremes in the case of both sexes. Ultimately respect for game should unite us.

WHAT QUALIFICATIONS DO YOU NEED TO BECOME ROYALTY?

Bettina Schmidt: You become royalty by birth... (she laughs again). You become hunting queen by sending an application, attending selection interviews and awaiting a decision by the jury. Hunting is a male domain and in this honourable office you generate a lot of interest. You are in the spotlight, you are being watched and sometimes you are also under stress. I enjoyed it - it was a good thing to be a woman promoting hunting.

BETTINA SCHMIDT IM FILM:
http://youtu.be/M_XLB7izRnk





ELK TEST

THE LARGEST DEER IN THE WORLD

THE ELK (ALCES ALCES)

JOHAN PERSSON

Professional Hunter

For Johan Persson moose hunting is hunting with a barking dog. The classical jämthund, the dog of the region, is a spitz. Johan's favourite companion is a she-dog called Snöa (means „Snow“). During moose hunt she wears a location beacon collar. When she takes a wide sweep to stalk an elk, the hunter is informed of her whereabouts. Moose hunting is teamwork - by giving voice and pointing, dogs provide the hunter with valuable information.



WEST-JÄMTLAND | SWEDEN



Only a handful of people live here: Medstugan is a small, lovingly restored hunting lodge in the middle of 15,000 hectares of wilderness in north-western Sweden. The Swedish steel, timber and mining magnate Carl Fredrik Liljevalch had the lodge built between 1896 and 1897. As he was a great friend of nature and founding father of several natural history museums he decreed in his last will and testament that the surrounding landscape be left untouched. The region which is very sparsely populated anyway - three people live here per square kilometre which is for example one seventy-fifth of the population distribution in Germany - is a guarantee for elemental hunting in the wilderness. Members of the aristocracy, kings and renowned big game hunters from many countries can be found on the guest list of this estate.



JOHAN PERSSON

Studied economics before he came to professional hunting **AGE:** 53 **LIVES:** in Sweden, West-Jämtland **TYPICAL GAME OF THE REGION:** Elk (also called Moose), Ptarmigan, Capercaille (Wood Grouse) **PREFERRED WAY OF HUNTING:** Preferably with friends, betimes gladly alone **CONTACT:** www.fjelljakt.se

WATCH THE VIDEO WITH JOHAN PERSSON:

<https://youtu.be/ZetumZRJFE>





From the helicopter to infinite vastness:
diverse nature far away from every road.

THIS IS MOOSE HUNTING

Fantastic hunting grounds between the Taiga and the Mountains

Text: Holger Siegel | Photos: Philippe Jaeger, Thomas Lange, Bosse Fritzen, Michael Agel

There is the first scent of new snow in the air. In the brush a few metres in front of us the excited baying of the moosedog can be heard. And a snorting: Between trunks and branches we catch only a glimpse of his black-brown winter coat. This moose, annoyed by the barking creature, sprays clouds of steam into the moist forest air. Through the brush it is difficult to estimate how big he really is. The largest deer on earth – called elk or moose – has no serious natural enemies here on the border between Norway and Jämtland. It can grow up to 2.40 meters high and three metres long here – an imposing beast.

Sweden is not known for a large amount of hunting tourism, it is rather an insider tip says Johan Persson. In West- Jämtland he operates a 15,000 hectares hunting ground. In the middle of it: Medstugan which is a small, lovingly restored hunting lodge. Only a few people live here; roads or even paths are rare so it is not seldom that a helicopter sets hunting guests far out in the mountains. Off-road vehicles are in use only to bring home game and equipment. Ptarmigan and capercaillie are hunted here – and above all elk. Population of all three: bounteous. Persson is 50 and has been hunting since he was 11 years old. He studied economics and came to professional hunting by way of dog training. The jämthund, the typical moosedog in this region, is a spitz. This breed barks 70 to 80 times per minute when hunting. Because Persson's dog Snöa sometimes searches wide in the mountains so as to corner the elk, she wears a radio collar with a location beacon. The main precaution is not to alarm the moose. Only after the dog has



Johan Persson und Snöa.

the elk at bay with a rhythmic bark, the hunter follows up stalking with caution to get in shooting range. Moose can trot at a speed of up to 60 kilometres per hour – in difficult terrain that is definitely too fast for hunters. Hunting moose is not extremely dangerous – but in some cases you have to be careful: Moose tend to lash out vehemently with their hooves when cornered – fatal accidents happen in this case. Especially elk cows are known to be dangerous when raising a calf.

In northern countries moose hunting has a long tradition. Swedish hunters prefer bolt action rifles – and in numerous households a Drilling still stands, many of them from Suhl. Persson carries a Helix with him. In a country where the number of guns a hunter is permitted to possess is limited, one learns to appreciate a universal, flexible rifle. A Helix with its robust synthetic stock can be reassembled within minutes with a premium wooden stock when

the finest quality weapons of the hunting guests at Medstugan are on show. Nothing more than an Allen key is required. In combination with the exchangeable barrels, the Helix offers a wide range of applications all-in-one.

Johan Persson values the elegant and flexible linear bolt action from Suhl: „The Helix is light, fast and accurate.“ When on long treks through the Swedish Taiga the Helix is his constant, uncomplicated attendant. For hunting moose he prefers a medium calibre (all 30 calibres) and a variable sight. „The art is to get as close as possible.“ Snöa and Johan, are masters in this art. ■



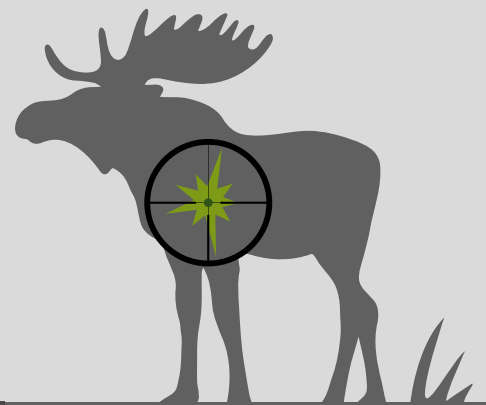
CONVERTIBLE HELIX

- 1 MOUNTING ON THE PICATINNY RAIL**
Exactly repeatable mounting - both while changing scope or after travelling.
- 2 WOODEN STOCK FOR A LUXURY FEEL**
The wooden and synthetic stocks are easy to switch.
- 3 MANUAL COCKING LEVER ON THE STOCK WRIST**
Safe to carry on long treks - the rifle is only cocked at the last second



CHANGING THE STOCK

The interchangeable stock is a popular option in countries such as Sweden where hunters are only allowed to own a certain number of rifles. You want to convert from a luxury rifle to a workhorse? No problem with the Helix: changing the Helix buttstock is easy - the wood or synthetic stock is attached to the system by a single hex-socket screw. The Allen key is inserted into the hex-socket screw via the rubber recoil pad. Mounting the stocks requires a certain amount of feeling: they must be screwed tightly, but without using force.



THREE MOOSE CALIBRES

Excellent ammunition: RWS UNI. 308 Win., 30-06 Spring., 9.3x62

Although moose are not considered particularly hard to bring down, it is better to choose a larger-sized calibre. You will need about 50-60 rounds of ammunition for a moose hunt - some of which are intended for control shots on arrival.

Swedish hunting law specifies a minimum bullet weight of 10 grams with minimum energy of 2,000 joules at a distance of 100 metres. Also allowed are 9-gram bullets with correspondingly higher energy (at least 2,700 joules at 100 metres). And, most important of all: if the shot is not good, the calibre is of minor importance - if the aim is good, most calibres are appropriate.



UP AND DOWNHILL:
SHOULDER STRAPS 2/3
HIP STRAP 1/3



EVEN TERRAIN:
SHOULDER STRAPS 1/3
HIP STRAP 2/3



STRAPPING

THE BASIC RULE: heavy objects should be packed higher up in the backpack and close to the body – the centre of gravity should always be at shoulder height. But exactly how a backpack should be carried depends, for example, on the topography. It is a good idea to change the carrying methods described here every once in a while. On level ground, the rule is: tighten hip straps to bear around 2/3 of the weight. The shoulder straps should be fairly slack. Climbs and descents are a different matter altogether: in this case, hip straps should be slacked and shoulder straps pulled tight. This avoids too much of the load weight being transferred to the thighs and calves – the weight is borne by the shoulders.

◀ 50-litre rucksack capable of transporting a Helix: Tuva Hunting Pack with chair, Silent 50l from Bergans.

SHORT ZEROING TUTORIAL

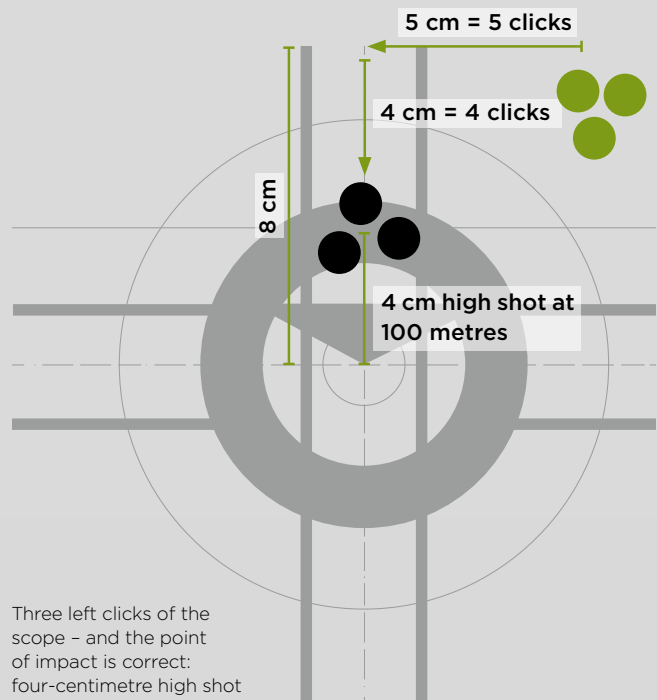
Lots of hunters leave the zeroing to their gunsmiths – this is a mistake. The optics should be adjusted to the hunter's own eye. The only way to do this is to do it yourself. Those who do know how to zero the rifle can check whether it needs readjusting after the transport. On hunting trips, the rule applies: knocks and bumps during air or road transport can alter the point of impact.

TYPICAL ALIGNMENT DISTANCES

Open and closed sights as well as red dot optics are normally sighted in at a distance of 50 metres. After zeroing, the shots should be exactly on target (mark). For rifles with scopes we recommend to zero the weapon with approx. 4-cm high shot (RZR) at 100 metres – this will still allow you to hit a living target at 150 meters.

SHOOTING POSITION

Ideally, this is sitting on a chair with the rifle on a supporting table. The fore-end of the rifle (not the barrel!) rests on a sand sack. Hold the rifle steadily but easily against the shoulder and push a second sand sack under the buttstock so that the reticle points toward the target. If you are travelling you can improvise by using a paper target, a rangefinder and a backpack.



Three left clicks of the scope – and the point of impact is correct: four-centimetre high shot at 100 meters.

ZEROING PROCEDURE

Ensure that you are not touching the barrel or the scope when you shoot. Take three or five shots when the reticle is exactly on target. Once the series of shots has been taken, gauge the position of the hits and adjust the scope reticle. This is done by removing the protecting caps and adjusting the optics. A simple mnemonic: if the shot goes right, turn the windage left "L", if it's too high, turn the elevation in a downward "D" direction. One click of the scope turret is usually equivalent to one centimetre higher or wider at 100 metres. The next three shots should then be on target. If they are not, repeat the entire procedure.

* valid for the most European optics

THEME: The personalised Helix

57 DIFFERENT TYPES OF BUTTSTOCK

From the finest wood to synthetic - including soft-touch coating stocks and adjustable cheek pieces.



14 DIFFERENT MAGAZINES

Ready-for-use: 5 different magazines Min, Std (extra .243 Win., .308 Win. + 9.3x62) and Magnum. All 3- and 4-rounds magazines in steel, plus 5-rounds magazines (3 different ones for standard calibre and one for Magnum calibre).



75 DIFFERENT BARRELS

ASSEMBLY

Picatinny rail as a mounting base. Options range from quick mounts to fixed rings...

Always the right barrel and the right calibre: fluted, semi-weight or as short barrel in 12 different calibres.



29 DIFFERENT FORE-ENDS

One universal fore-end for all barrel contours - wood or synthetic. Also with soft-touch coating or bipod adapter.





BLOOD TRACK

BLOOD TRACKING WITH THE HELIX

HUNTING JOURNALIST LUKASZ DZIERZANOWSKI
WITH BAVARIAN MOUNTAIN HOUND "DOZENT"

HANNOVER | GERMANY

OPOLE | POLAND



LUKASZ DZIERZANOWSKI & FRANK-WOLF DAHLEM

Blood tracking, a matter of urgency

Tracking an injured animal is not only a matter of urgency for any hunter, but also an unpleasant and tricky affair, particularly if it is necessary because bad placed shot. Whereas blood tracking used to be a makeshift affair in that the most suitable dog available was brought in to do the work, the introduction in Germany and other countries of qualified blood

tracking teams has since made it far more professional. Blood tracking teams include an experienced hunter and a qualified working gundog. In Germany, the rule is for each district hunters' association to have at least two active blood tracking teams. Difficult blood tracks and tracking strong wild boar also involve an expert who knows the hunting ground.



FRANK-WOLF DAHLEM

Forester from Hanover and blood tracker **HUNT:** since he was a child – his father was also a forester **AGE:** 65 **LIVES:** In Germany, Lower Saxony **PREFERRED GAME:** Wild boars and red deers **BLOOD TRACKING GUIDING PRINCIPLE:** Leave the analysis to the blood tracker ...



LUKASZ DZIERZANOWSKI

University lecturer, hunting journalist and blood tracker **HUNT:** All over the world and since early youth **AGE:** 41 **LIVES:** In the Polish town of Opole, Silesia **PREFERRED GAME:** Boars and red deers – depends on the hunting season **HUNTING GUIDING PRINCIPLE:** Hunting has to be stunning.

CONTACT LUKASZ:

www.facebook.com/Docent-natropie-388147078011830/?fref=ts





Blood tracking in the hunting ground: It is important to know when to call in a professional.

NO GENERAL RULE

Every blood tracking is different

Interview: Holger Siegel Photos: Adrian Grela, Frank-Wolf Dahlem

Blood tracking all over the world – and the right gun for the job: The Polish town of Opole (Silesia) is home of the 40-year old university lecturer, hunt journalist and equipment tester Lukasz Dzierzanowski – with his Bavarian mountain hound Dozent he completes 40 blood tracks a year. Frank-Wolf Dahlem is forester in Hanover and one of Germany's most experienced blood tracker. His Hanoverian bloodhounds go by the names of Brix and Ali and the team respond to between 200 and 250 blood tracking a year. In action, both hunters use the Helix Tracker.

HUNTERS ARE OFTEN EMBARRASSED ABOUT HAVING TO CALL IN A TRACKING TEAM – WHAT CAN BE DONE TO MAKE YOUR WORK EASIER?

Frank-Wolf: I take a pragmatic approach. I ask them please not to call between 10 pm and 6 am, after all, it's a blood tracking and not a night trekking. And besides, a tracking team also needs to sleep. We will be there by first light, it makes sense then.

Lukasz: We do exactly the same. It is far too dangerous at night. A safe shot is not possible and no-one wants to meet a wounded wild boar in the dark.

IF THE GAME IS NOT LYING IN THE FIELD OF VISION, EVERY HUNTER AUTOMATICALLY GOES TO WHERE IT WAS SHOT. DO YOU FIND THAT'S OKAY?

Frank-Wolf: The hunter should know the place where the game

was hit and how it reacted after the shot. In principle, there is nothing wrong with 'taking a look', provided the area is not trampled down.

Lukasz: It is a decision that has to be made on a case by case basis. Point of impact, type of hair, reaction of the game and how it left the area – these factors influence the decision whether and how an animal should be tracked.

Frank-Wolf: I'd just like to add something: I prefer to interpret the reaction of the game by myself, without preconceived ideas. Generally speaking, this means the blood tracker has more experience. It can be compared to going to the doctor: you should describe the symptoms but leave the diagnosis to the doctor.



IS THERE A GENERAL RULE FOR BLOOD TRACKING?

Frank-Wolf: I wouldn't say a general rule. I would recommend calling in the tracking team if a deer or boar is not lying and there is no perceptible blood track. Irrespective of what was found at the place the animal was shot. I once

tracked a stag that kept going for miles after a clear shot to the lung. It's a different matter altogether with a less gun-hard deer, even more so if you have a more or less decent gundog to search the area. But you don't usually get very far without a dog's nose.

WHAT IS BLOOD TRACKING PROCEDURE?

Frank-Wolf: Once the tracking team has arrived, it begins ...



HELIX TRACKER

- 1 HELIX TRACKER:**
Blood tracker rifle with take-down function, hand-cocking and synthetic stock. Short semi-weight barrel, i-Sight system with muzzle sling swivel, driven hunt sights.
- 2 ORANGE CAMO-STOCK:**
Straight stock with rubber butt plate - ideal transfer of recoil forces to the shoulder. Prevents muzzle jump.
- 3 UNIVERSAL FORE-END**
Fits all barrels and contours. With integrated hand grip element and locking button.
- 4 BOLT HANDLE**
with ball for fastest linear action.
- 5 GPS NAVIGATION:**
Essential for locating the unstrapped dog.
- 6 10 METER BLOOD TRACK LEASH**
in orange.
- 7 TRACKER BIATHLON SLING:**
Double sling so the Helix can be safely carried like a backpack. Can be attached to the front of the barrel and the stock.
- 8 BOAR SPEAR:**
To finish a wounded game off. (Prohibited in Poland)



... where the animal was hit. It is decided who has to give the coup de grâce : always the blood tracker, never the local attendant. There have been some unpleasant incidences in the past, for example, when one of the hunters pulled a revolver out of the bag, or someone suddenly walked in front of the barrels' muzzle.

Lukasz: Hunters in Poland don't have handguns. Personally, I also find it too much hassle. GPS, rifle, leash, knife, dog – and then a handgun that you have to keep practicing. The short rifle is safer and the Helix TRACKER can easily be carried like a backpack thanks to the double sling.

Frank-Wolf: I take a similar view. You also have to be able to use your rifle proficiently. For safety reasons alone the coup de grâce must be the prerogative of the blood tracker – everyone else is unarmed. I carry my short Helix TRACKER and a long hunting knife.

WHAT IS YOUR OPINION OF THE HELIX AS A TRACKING RIFLE?

Frank-Wolf: I was sceptical at first because of a small detail. The bolt handle is in this guide rail and it is open. We tramp through thick underbrush with the rifle and I found it hard to imagine that needles and twigs could drop into it and not interfere with the function of the rifle.

AND? STILL SCEPTICAL?

Frank-Wolf: Surprisingly not. Anything that falls into it, also falls out again, or at least does not interfere with the function. It is a really rugged rifle, one you can rely on. I use an Aimpoint micro sight – it goes well with the rapid, short Helix Tracker. I found the plastic stock was too light for the 9.3 x 62 cartridge so I bought myself a less sensitive laminated stock, this has more weight and dampens recoil.



„WE NEED THE SYMPTOMS. NOT A DIAGNOSIS.“

FRANK-WOLF DAHLEM

Apart from that, I prefer to use wood and also find a laminated stock aesthetically more pleasing.

Lukasz: I really liked the rifle during the tests. I have been carrying the same calibre rifle as my colleague for over a year now, also with an Aimpoint, and have had no problems with it. I also use the Tracker on driven hunts, but then usually with a scope. This is the strongest argument in my opinion as a blood tracker. The loaded gun can be carried safely thanks to the hand-cocking system. Or, put it in another way, I sold my double rifle – the Helix is simply more practical.

WITHOUT WISHING TO FLATTER, IT'S A TOUGH JOB, BUT YOU ARE DOING IT ON A VOLUNTARY BASIS. WHAT WOULD BE YOUR REWARD FOR TURNING OUT?

Lukasz: Oh, not everything is about money. There really is a lot of work, sweat and effort involved. You are sometimes out for three, four hours at a time, sometimes to no avail. You know, one is not always rewarded with success.

Frank-Wolf: In Lower Saxony we travel up to 80 kilometres, that costs petrol. We walk for miles – I sometimes get through two pairs of Wellington boots a year. And, even though the dogs and I really enjoy tracking, every team is glad of a little pin money – even though we find it just as hard to name a price for our services as do our clients.

ARE WE TALKING ABOUT 50 OR 500 EURO?

Lukasz: It's a question of etiquette. At home in Poland the tendency is toward 50 euro.

Frank-Wolf (laughs): Exactly. That covers costs and is a small sign of recognition. ■

TRACKING: NOTHING IS BETTER THAN A DOG'S NOSE

You learned it at hunting school and have a wealth of practical experience, but often a tip can also revive some forgotten knowledge:

1. Always note the location where you took the shot and mark where the game stood when the shot was fired - but don't tread on important spoor when doing so.

2. Clearly mark the signs that the animal left behind at the place it was shot and its escape direction: Bones, hair, imprints and possibly also bullet impact.

3. If the signs present at the place where the game was shot point to a fatal hit (lung or heart area), then tracking should be started quickly.



4. If you are able to recognise an obvious blood trail, follow it for no more than 150 metres without trampling on it.

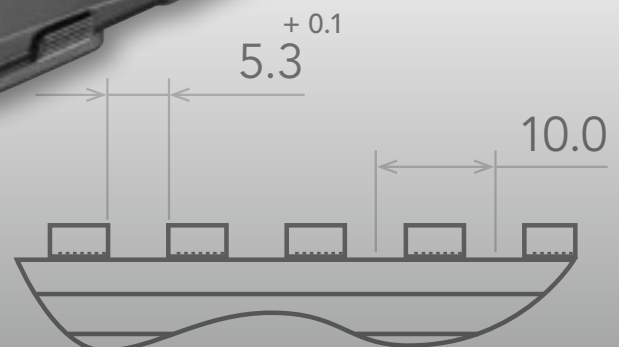
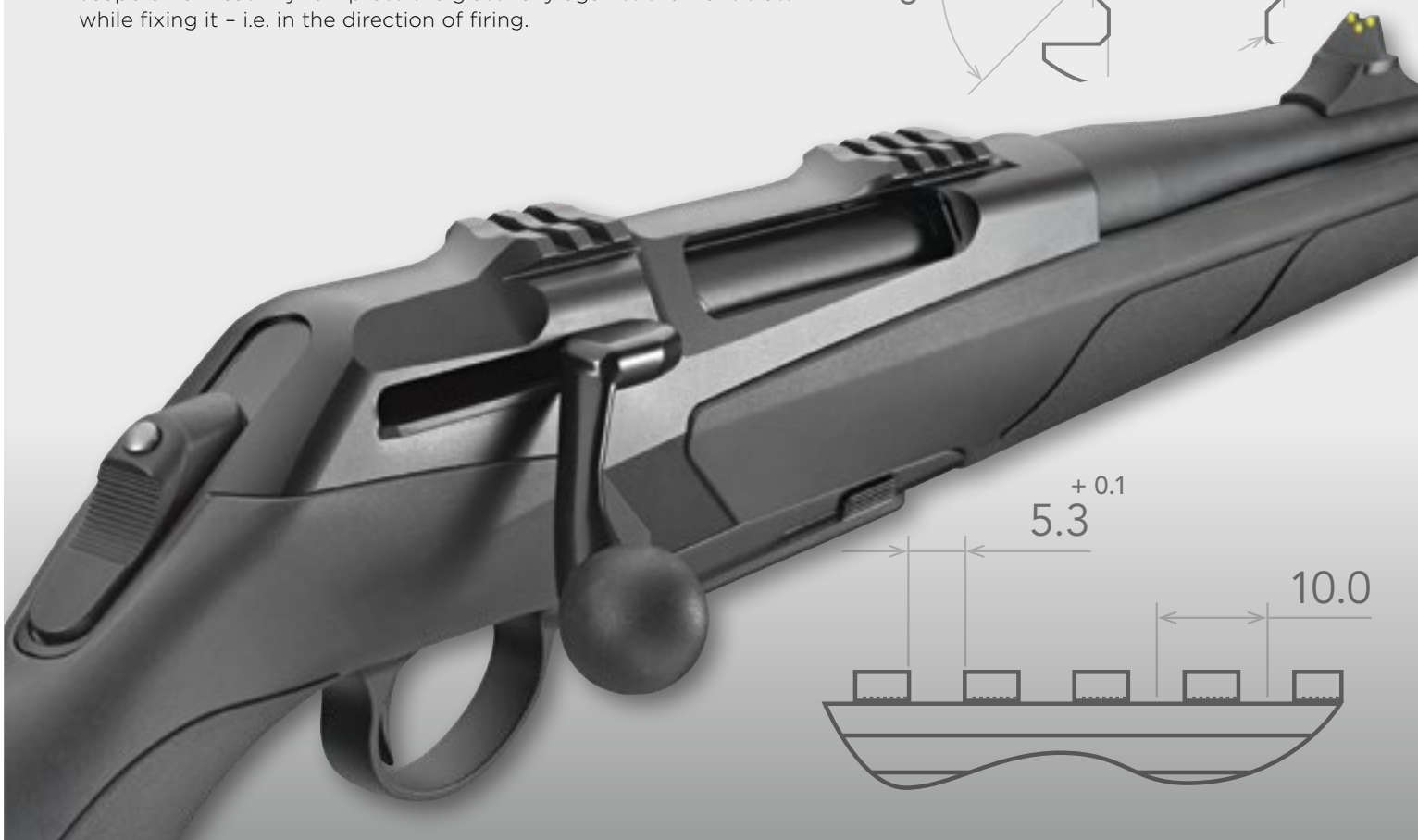
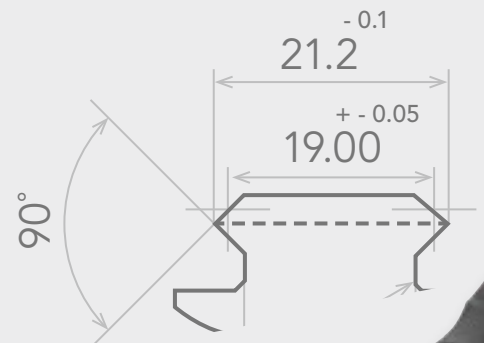
5. If a non-fatal injury is to be assumed, a waiting time of several hours is often advisable - in this time the shot game can metabolise adrenaline and find a place to settle due to its injury.

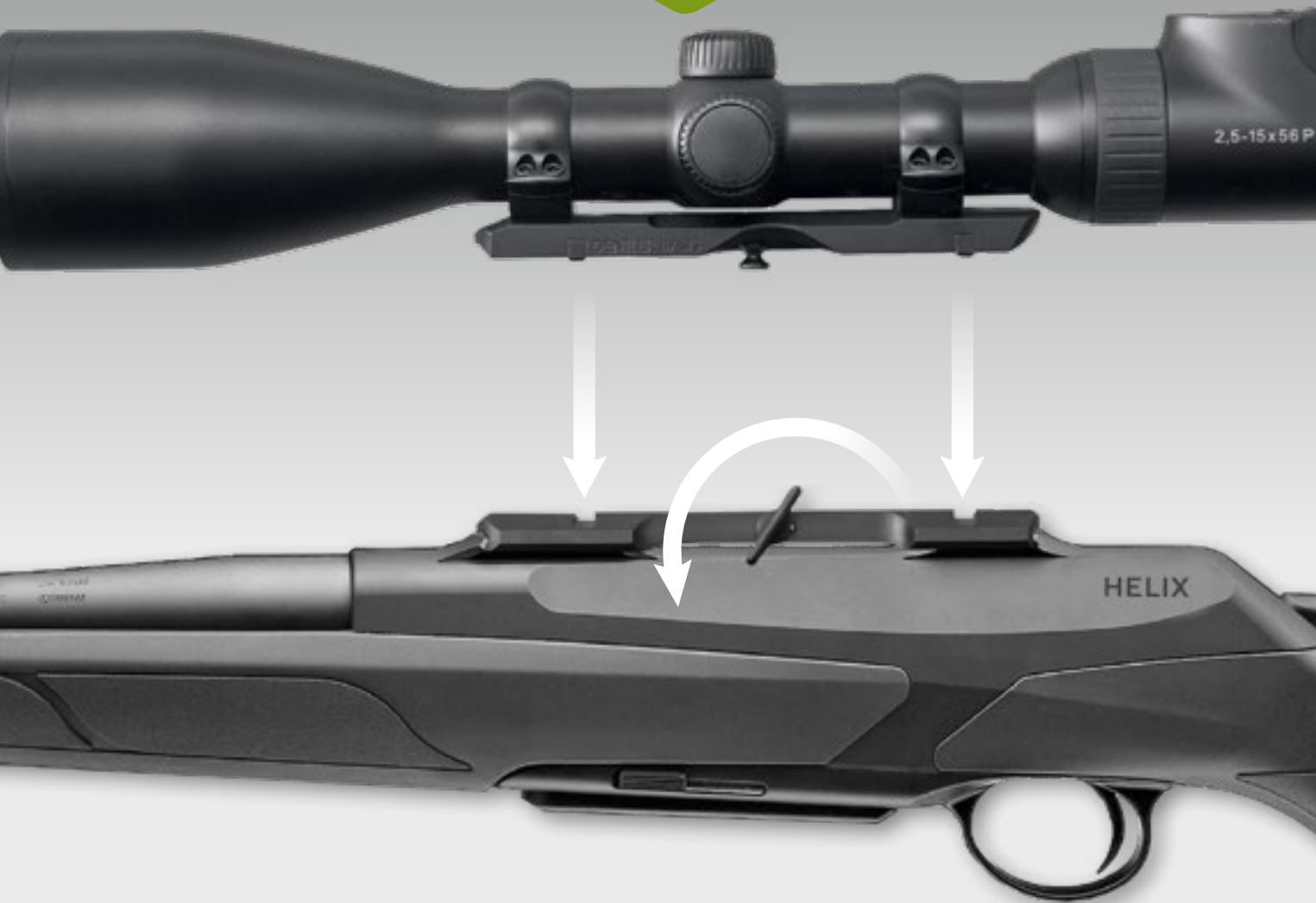
6. Flushing out the game that has been wounded by the shot may lead to complicated tracking.

7. Don't hesitate to call a tracking team, especially if you are hunting without a dog. Always remember that a dog can smell what you can't see. A trained dog nose uses 220 million olfactory cells, whereas a human only has five million such cells.

THE PICATINNY RAIL

On the Helix, the mounting base for the scope is a Picatinny rail. The ridges and slots are milled from the full material on the action assembly, thus guaranteeing a reliable and shot-proof connection. This universal mounting base enables exactly repeatable mounting of the scope. Slots absorb the recoil forces. They also permit simple mounting of the scope at various intervals - this is important if different optics are used on one rifle. Important when placing the scope on a Picatinny rail: press the glass fully against the front slots while fixing it - i.e. in the direction of firing.

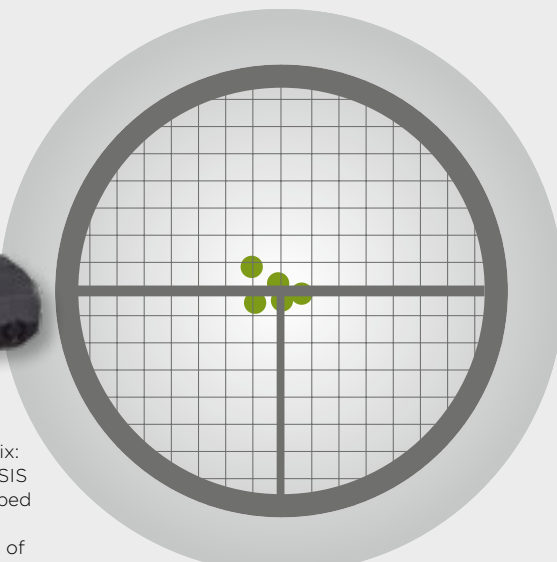




HITTING FROM THE BASIS

A new mounting basis by Dentler is now available for the Helix - Dentler BASIS VARIO. The special feature of this mounting basis is, that its adjustability. With this solution, adjusting is not done on the scope any more, but on the special screws **1** on the basis. The zeroed in system opens fascinating new perspectives: a single, expensive scope can be used on all rifles, without zeroing them in every time the scope is changed. A quick scope change is possible via the toggle screw **2** - and already the scope is back in the "saved" position of the mounting

basis. Instead of buying multiple scopes, the hunter just needs a couple of VARIO mounting bases. Ordering addresses can be found on dentler-jagdwaaffen.de



New for the Helix:
The Dentler BASIS VARIO is equipped with screws to adjust the point of impact of the scope.



AS FAR AS YOU CAN GO

NEW ZEALAND: HUNTING ON THE OTHER
SIDE OF THE WORLD



CANTERBURY | NEW ZEALAND



CANTERBURY | NEW ZEALAND

PHILIPPE JAEGER

Hunting journalist

You can't fly any further from Western Europe. On the other side of the world our reporter sets out to hunt chamois. It was cold, demanding and in every sense a challenge, which was indeed rewarded. Frenchman Philippe Jaeger reports from the land of the kiwis.



PHILIPPE JAEGER

Philippe Jaeger has worked as a self-employed translator and freelance hunting journalist for 23 years. **AGE:** 49 **LIVES:** In Alsace, France. **PREFERRED GAME:** Anything that runs and flies, provided that it is difficult to hunt. **GUIDING HUNTING PRINCIPLE:** Respect for nature.

Text: Philippe Jaeger Photos: Per Agerlund Jacobsen, Philippe Jaeger, Thomas Lange

Situated on the other side of the globe and surrounded by the waters of the South Pacific, New Zealand is an Eldorado for mountain hunting.

It is mid-May, therefore it is mid-Autumn in the Southern Hemisphere. In Hokitika on New Zealand's South Island we are testfiring our rifles after the journey, which took more than 30 hours. On the second day, we are travelling 100 kilometres along the coast to a landing pad for the helicopter. In order to hunt in the New

Zealand Alps, a helicopter is practically essential. The primeval forest between the coast and the mountains has to be crossed in this way. We are flying with mixed feelings because hunt junkies use such helicopters to locate their trophies and get dropped off for a quick shot. That is not our way of hunting.

9 o'clock sharp, the helicopter appears almost out of thin air and lands in front of us. We quickly load our equipment and begin the great adventure. ...

... The machine quickly gains height. To the right are the blue waters of the Tasmanian Sea, to the left the snow-covered peaks of Mount Cook National Park and below us is the forest canopy of a primeval forest, where you expect dinosaurs to appear at any moment. After the 20-minute flight, we land on a large circular plateau. We hardly have time to unload our equipment before the helicopter is flying away to collect another team of hunters. It will come back in three days. Until then an emergency call transmitter via satellite is the only means of communication with civilisation. It takes just under an hour to set up a tent camp.

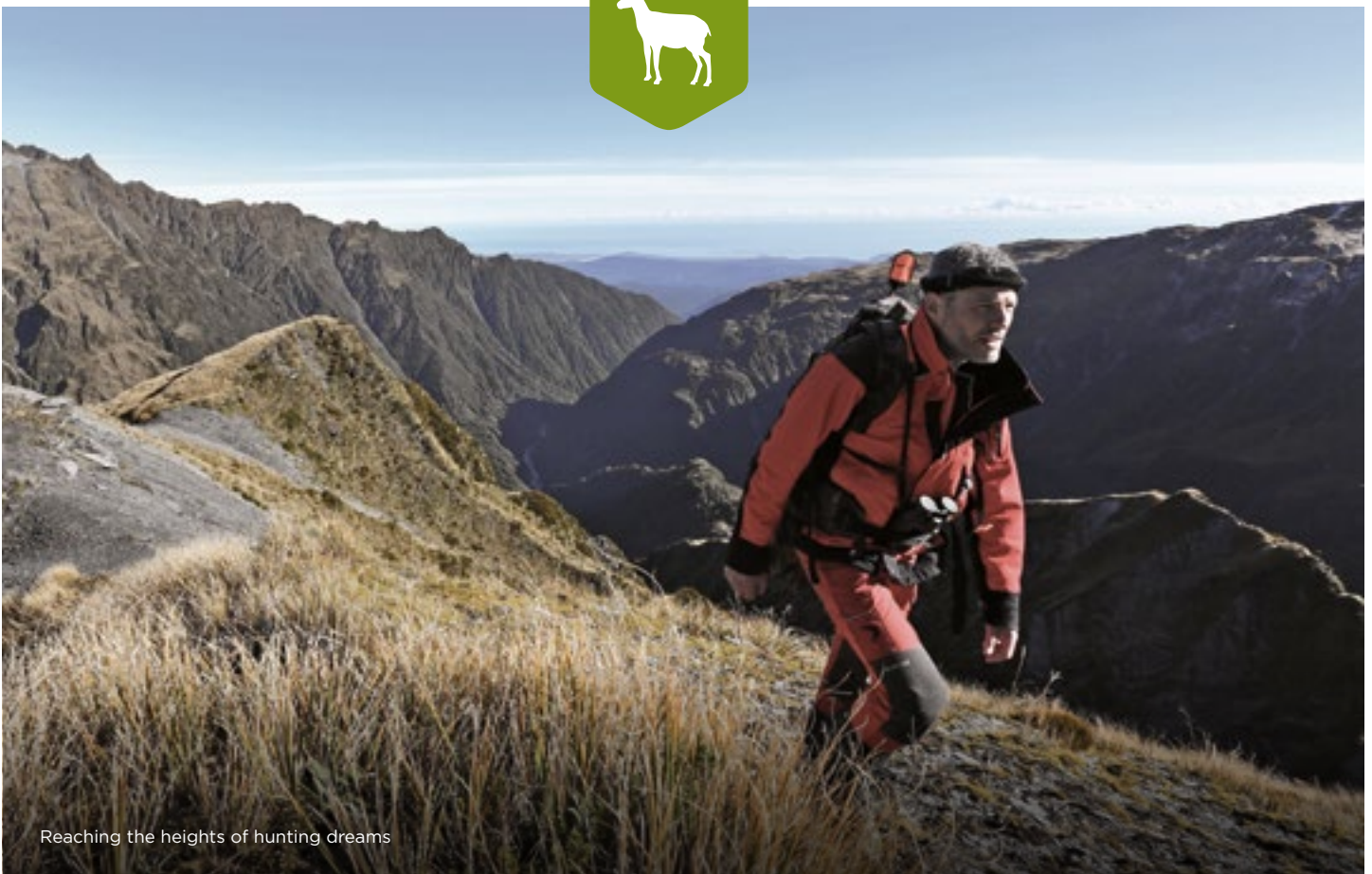
It is late afternoon and the hunting may begin. The spotting scope is positioned on a tripod. The newcomer's eye sees a mixture of tall plants, a field of stone and above all a type of undergrowth,

the so-called "Monkie Scrup", the name given by the local hunters to this vegetation. Per Agerlund Jacobsen, a young New Zealander of Danish descent, knows this type of habitat. He is my guide. With the aid of a map and a compass, we approach the valley where many chamois have been spotted.

After leaving the camp, we cross a vast zone with high grass, which is wet from the night's rain. We quickly realise that the hunt is going to be a strenuous affair. Every couple of metres our feet get caught in roots and clusters of plants, making it even more difficult. Paradise is starting to look like Hell. Already after 20 minutes of hard work, we are covered in mud and sweat. Our hands are bloody from desperate searching for holds in the hostile vegetation. And to add insult to injury, clouds gather in the valley and reduce visibility to 50 metres ...

„ENDLESS EXPANSES.“

PHILIPPE JAEGER



Reaching the heights of hunting dreams

We watch a chamois kid on a rock slope. While we get ourselves into position, it disappears behind a rock face and a splendid buck takes its place. The range finder shows 183 m and the Helix rests in position on the 4 stable stick stalking stick. Our first New Zealand chamois was shot by the .270 Win. calibre RWS EVO GREEN with a 6.2 g bullet. The rifle showed a remarkable performance here. One hour later, we have crossed a gorge with vertical sides and a clear, ice-cold mountain stream, and have then scaled a scree to finally find the buck, which had succumbed in a ravine. He is splendid and old with two powerful glands that can be seen at the bottom of his horns. The rut starts and we have to go back in order to reach our camp in daylight.

In the night, the temperature drops to -7 °C and it is only thanks to the gas camping stove in the tent that we aren't miserably cold. Even Andy, the Jack Russell terrier who never leaves Per's side, refuses to get out of the sleeping bag. Outside everything is covered with frost, including the rifles and binoculars that no longer fitted in the tent for lack of space. After a couple cups of tea and two bowls of porridge, we set off again. We plan to climb the ridge of the basin. Around midday, we reach the crest and enjoy an unrestricted 360° panorama that lets the efforts of the climb diminish into insignificance. We see a group of animals two kilometres away and we follow the crest of the mountain to catch them up. The ancestors of the chamois were introduced from Austria in 1907. Today, these animals are found in nearly all regions of the New Zealand Alps.

Suddenly, a distinctive hissing stops our conversation. A chamois has discovered us and is warning the others who are speeding

towards the valley bottom and seeking protection next to a rock face. It would be irresponsible to shoot. We watch - and then! Another female appears from behind a large rock. She is alone. There are 164 m between us. We shoot our second New Zealand chamois.

We spend the second day seeing to the game and tending our wounds. Early in the morning of the final day, we pack up our camping equipment. A large buck appears on a rock overhang about two kilometres away. We want to give it a try. Three hours later, the terrain and the vegetation have worn us out again. The buck dominates its territory with an overwhelming energy. He is 250 m away, but he is only vaguely perceptible in the vegetation. In a hollow of the valley, we can get no further because a cracking branch betrays us and the buck jumps away. At the end of a long minute, the animal reaches a ridge that opens up to an opportunity to shoot at a distance of 320 metres. A precise shot with a rested rifle. The TAR-GT trigger of the Helix is in its element and does its job: Target hit! The buck vanishes over the other side of the ridge. We start to look for him together, but ultimately we have to separate. Two hours later, I see Per and Andy again in the binoculars. Per is holding the head of the large buck in his hand. The animal, which was about 16 years old, had suffered from chamois blindness.



The helicopter collects us just before a storm comes in, which can suddenly happen on the New Zealand coast. It is time for us to return to Christchurch, to the stormy Eastern side of the New Zealand Alps where we are hoping for a rendezvous with another mountain ungulate, the tahr from the Himalayas. ■

BALLISTICS IN THE MOUNTAINS

The precision shot is a combination of skill and the appropriate equipment (i. e.: rifle, optics, ammunition and rangefinder), as well as environmental factors. External ballistics is determined by **temperature, wind, firing angle, barometric pressure and film.**

If the **temperature** drops or increases, the point of impact changes too. The rule of thumb: ten degrees Celsius more alters the point of impact by up to three centimetres in height. Depending on its strength and direction, **wind** also has a significant effect on the shot. Even a mild breeze can alter the flight path of a 200-metre shot by 10 cm. Higher **humidity** causes higher shots. To avoid low shots in heavy rain it's even advisable to use a heavier bullet.

In the mountains there are a number of additional factors affecting the point of impact, e.g. **sea level and firing angle.** Air resistance decreases with every 100 metres in altitude. Important: this changes the line of firing by up to half a centimetre. A rifle that was sighted-in at a lower altitude will therefore shoot high. The gravitational effect on the bullet's flight path is less with an **angled shot.** It stays straighter. Thus, if the direction of firing is not horizontal, there will be less force and the shot will go high, both uphill and downhill. This is the origin of the saying **Bergauf und bergrunter - halt immer drunter (uphill and downhill - always aim low).**



For every 10° warmer - approx. 2-3-cm high shot at 100 metres.



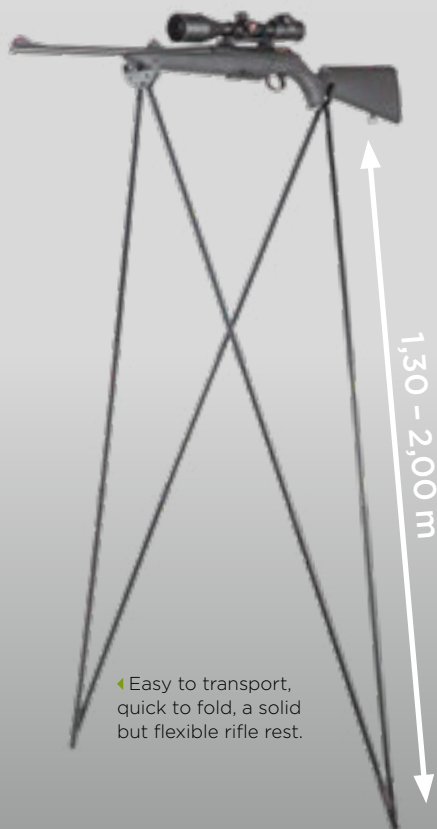
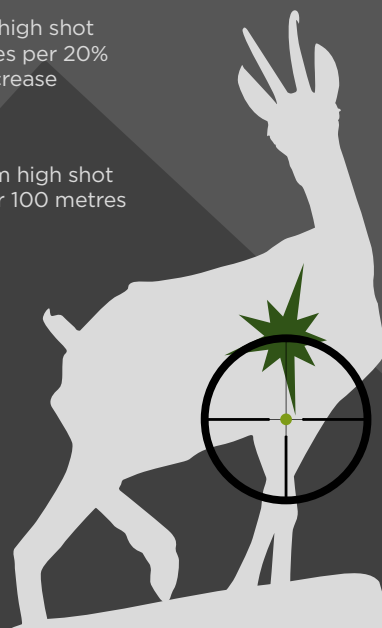
Light breeze (5 km/h): deflection approx. 10 cm at 200 metres in the direction of the wind



Up to 3-cm high shot at 100 metres per 20% humidity increase



Up to 0.5-cm high shot at 100 m per 100 metres in altitude



Easy to transport, quick to fold, a solid but flexible rifle rest.

STABLE STICKS

Stalking is a challenging way of hunting. In addition to the required knowledge about game, there is also the challenge of the silent stalking and shooting from a position that cannot be planned ahead. For the latter, at least, there is a solution: it is called 4 stable stick.

The ideal shooting stick for the travel-friendly Helix is made of ultra-light fiberglass material, weighs less than half a kilo, quickly collapses into a less than 65-centimeter package and is a stanch silent stalking companion. Rapidly assembled, it provides an impressively stable support for a perfect shooting position. As solid as the construction is, the rifle can easily be moved vertically and horizontally, as well as throughout the rest to have a perfect aiming without wobbling or swaying. It allows long-distance shots where there is no natural support.

MORE INFORMATION AT:
www.4stablestick.fr



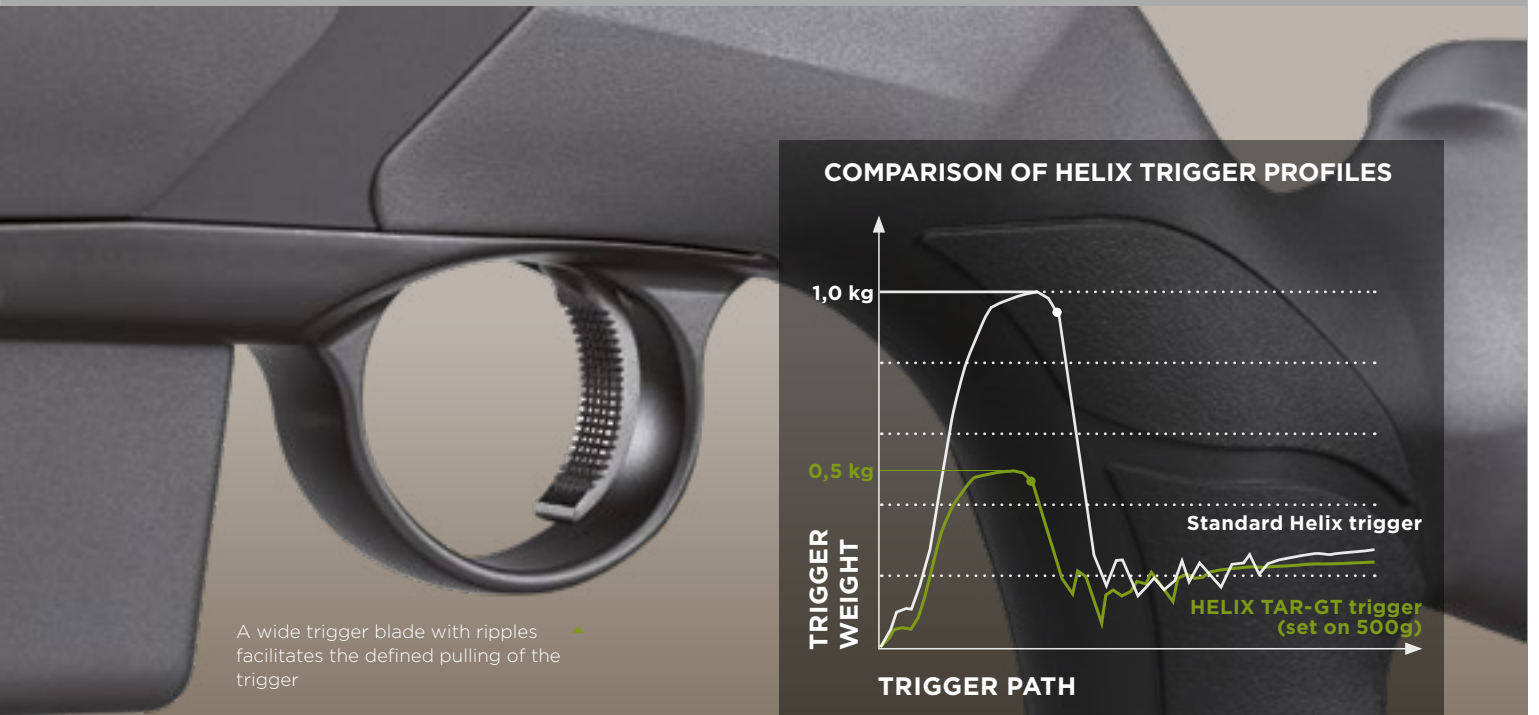


FAR MORE THAN RANGE FINDING

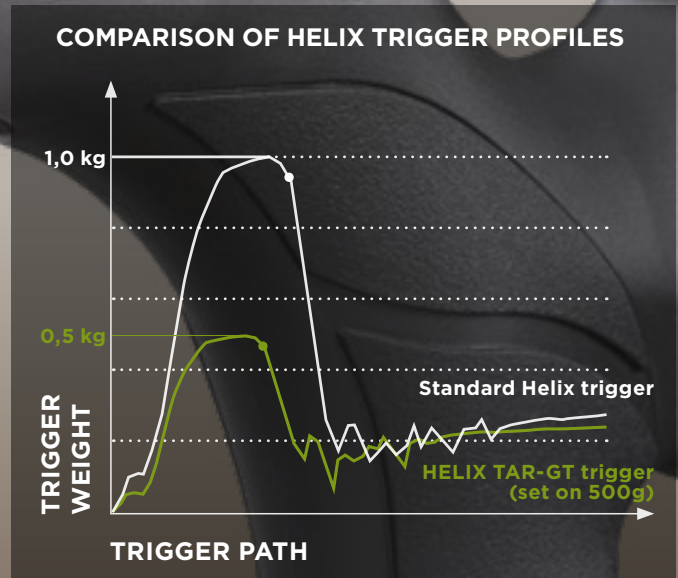
Observe, measure the distance, generate ballistic data: with high-tech binoculars you can do a lot more than merely watch game. With it, and the aid of the temperature, barometric pressure and angle parameters, a ballistic calculator can determine point-of-aim correction or the exact number of clicks required. The Leica Geovid HD-B binoculars also integrate a slot to take a micro-SD card. The device is therefore able to import the ballistic data of the ammunition. The result is the perfect union of hunter and rifle - for maximum accuracy and safety in compliance with hunting principles.



▲ Far more than mere binoculars - rather a complete ballistic system: the Geovid HD-B series by Leica.



A wide trigger blade with ripples ▲ facilitates the defined pulling of the trigger



PIMPED HELIX : THE TAR-GT TRIGGER

When a gun is perfect, trigger tuning is the cherry on the cake. Now a specially overhauled TAR-GT trigger is available for all Helix models. This super crisp model has refined trigger geometry and a special surface treatment that add to the perfection of the much praised Helix trigger. Enthusiasts for the TAR-GT trigger are mountain hunters, as well as precision and sports shooters, i.e. for

anywhere where long range shooting and high-precision is required. The trigger can be smoothly adjusted in the wide range between 500 and 1500 grams. A wider trigger blade with ripples creates a larger contact area with more grip and in doing so facilitates the defined pulling of the trigger. The trigger can be individually adjusted by using a screw on the trigger guard.

THEME: Suhl's formula for success



The old gunmaking town of Suhl is one of the oldest industrial and crafting centres of guns production in the world. Many of the principles of the older and younger Suhl masters were brought together in the Helix from Suhl. These are the best reasons for hunters to use a Helix: cold-forged barrels from Suhl guarantee the best accuracy and high durability. The noiseless manual cocking system is the most reliable safety function in hunting rifles. The patented Helix breech features a steel-on-steel locking mechanism and provides optimised protection for the shooter – even when using large rounds. The patented hammer system delivers maximum ignition energy for a safe shot. The Helix Safebolt prevents ignition if the breech is not fully closed. The highly stable duralumin receiver is closed at the rear – providing more protection for the shooter. The straight stock ensures an optimised transfer of recoil forces to the shoulder and minimises muzzle flip. The magazine is removable and easy to change. The direct trigger is highly responsive. To list a few of the many principles...

Helix Speedster, 2018 (left)



500 years of experience
+ innovative ideas



Merkel "Taube" over-and-under combination gun from the year 1927 (right)



TAKING MEASURE

Markus Leibinger customize the Helix

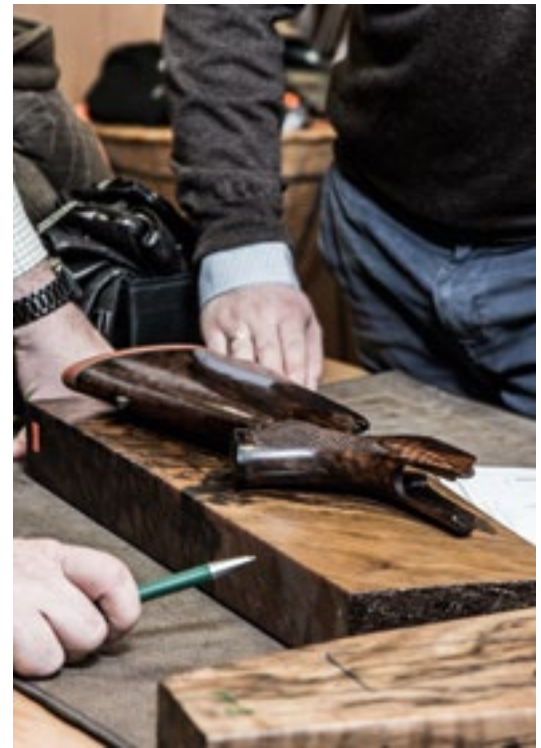
Text: Holger Siegel | Photos: Arnulf Hettrich

Markus Leibinger knows what he is talking about. The hunting parcours shooter, gunsmith and master precision engineer has been a member of the German national shooting team for 22 years, his achievements include four German championships. There is not much the 38-year old from the German state of Baden Wurttemberg does not know about guns - he specialises in sophisticated hunting equipment and has a shop in Eigeltingen, not far from Lake Constance. But the shooting ace is now also creating fresh impetus with rifles - not least, because the new Helix plays into his hand.

„Shotgun shooting - that is driven hunt par excellence“ said Leibinger about his favourite discipline. Join him at the Dornsberg hunting parcours for a taste of fast and safe

shooting. „It is undeniable that a perfect custom stock is the key to success.“ Leibinger gives a demonstration: a well-practiced sequence of movements, quick aiming and accurate shooting.

Most rifle shooters are still far from comprehending that the key to accurate shooting is the stock. „The fast and safe aiming is the decisive factor at any driven hunt. But we are still a long way from custom rifle stocks,“ said Markus Leibinger. That was the case before the advent of the Helix. The revolutionary linear bolt-action with bolt transmission also has an important side effect: Everything takes place within a closed system housing, there is no bolt moving towards the shooter's eye. The strong safety factor is also an argument for the custom



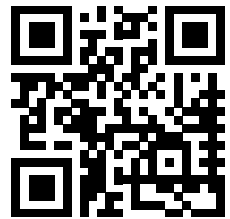
For Markus Leibinger, the optical axis of the scope is the measure of all things. The fine stock must ensure perfect shooting position.

stock, since, with the Helix, the stock maker has no bolt to contend with. And, Leibinger continued, „The custom stock looks really good on the Helix.“

The typical rifle stock on a lot of current hunting rifles appears to originate from a time when open sights were still in fashion. Often neglected is the fact that a scope makes it higher, meaning the comb requires less lowering. Leibinger specialises in adjusting wood and steel to fit the Helix to the man, and increasingly often, to the woman. His international clients trust him – the typical Helix package is, plastic stock as basis for the tough operations, custom-made walnut stock for the driven-hunt – plus

usually one or two further calibre options in the form of spare barrels, and a second scope. „The system’s universality is impressive. The client can easily configure the Helix for the next hunting project with just a few simple tool-free actions.“ ■

CONTACT GUNS LEIBINGER:
www.waffen-leibinger.eu



Custom made – ex factory: Merkel has its own stock makers. With its closed system housing, the Helix is destined for the custom stock.



Foto: Maurizio Costanzo

OWEN BEARDSMORE

Professional Hunter

This small Asiatic deer from South East China & Taiwan has spread rapidly across England since its escape from private collections over 130 years ago. It has no closed season in UK as it has an irregular breeding pattern, reaching sexual maturity at 7 months old and producing a single fawn every 7 months after this. It could already be the most numerous of the six resident deer species. This spaniel size beast is a territorial creature of dense undergrowth and is aggressive to other mature bucks and will fight using its sharp canine teeth. A mature male can weigh up to 18kg.



OXFORD



OWEN BEARDSMORE

AGE: 54 **LIVES:** Staffordshire, England. He has hunted since childhood, helping a gamekeeper rearing game birds he started off shooting foxes and progressed onto deer. After a successful career in the private sector, he returned to his real passion for hunting and created Cervus-UK, his company. Providing quality hunts for deer & gamebird species of Europe, the Muntjac is one of his specialities, which he guides personally.

OWEN BEARDSMORE ONLINE:
<https://www.cervus-uk.co.uk/>



THE SILENCED SHOT

Hunting for the British Muntjac

Text: Marc Millenet Photos: Martin Osborne

During the 1880's several Reeves Muntjac escaped from Woburn Abbey in the Midlands of England and adjusted to the British weather where they survived and thrived. Feeding at a low level, this beast of only 45-65cm in height has had an adverse effect on the ground flora of the native woodlands. Hunter and outfitter Owen thinks that this curious beast is a challenging hunt as it never stands still, always patrolling its territory, seldom leaving thick cover until last light.

Owen Beardsmore has been a hunter since childhood and a professional hunter/guide for the past 15 years. At the age of 40 after a successful career in the communications industry, he returned to the woods he loves so much, to guide clients from all over the world for all resident UK deer species. In many ways the 'Brits' are ahead of other European hunters having embraced, for over a decade, the use of sound moderator's as a hunting aid. Owen is a supporter of the 'silencer' for the future hunting generations as he himself has a souvenir of tinnitus from un-moderated days of shooting of the last century.

Owen's choice of weapon is the RX Helix in. 308W calibre with a synthetic Alpinist stock. The 510mm standard barrel is muzzle threaded for his choice of sound moderator. He explains "people that shoot with a silencer are more relaxed when taking a shot due to the reduced recoil and muzzle blast, the quarry cannot always detect the direction of the shot and this enables, on occasions, other beasts to be selected and dispatched." He favours this caliber as the round is more forgiving of deflection when shooting into the light foliage habitat of the Muntjac. In general these deer are shot between 30-150m in distance, which is respectable given the small size of the target and the. 308W had a great knockdown quality.

This strange 'alien invader' with its fanged teeth benefits from being hunted with the muffled blast from the sound moderator. As it moves around its territory a beast can be shot and



Foto: Martin Osborne

Footprints of a muntjac.

the rest of the community settle down quickly, for a further one to be dispatched within a short time making the hunting result more effective. In many areas the Muntjac lives adjacent to man in urban forests and the reduced noise from the shot is appreciated by the local residents at first & last light.

The Muntjac is also known as the 'barking deer' as it announces its presents to others during its feed periods from within its leafy home. For the past two years the RX Helix has been Owen's workhorse and constant companion whilst on his hunting forays. "This rifle is modern, reliable & intuitive" and he waxes lyrical about the quick reloading on driven hunts and when he needs to cull large numbers from a group of deer at home. "I love its robustness and it has stood the challenge of abuse and misuse by my clients, which is testament to manufacturer's build quality". Owen likes the way that the Helix can, very quickly, be customized to suit all hunting scenarios. "I can literally change my stock and barrel in the same time it takes the kettle to boil for my cup of afternoon tea!" ■





HELIX SPEEDSTER

Our fastest: The Helix Speedster exclusively has the new SpeedStock, which as a thumbhole stock not only optimises the precision shot, but also fast shooting on a driven hunt. Exclusive is also the Memory CheekPiece, which automatically adjusts the cheek piece to the previously set position. The Speedster also comes complete with the new i-Sight system.



HELIX SPEEDSTER OR/LTD EDITION

A special limited edition with a matching Speedster knife: The Helix Speedster OR has comfortable orange rubber inlays to stock comb, pistol grip and fore end. This highlights the intuitive line of this linear bolt-action rifle. The Speedster knife produced with the same technology and matching colour scheme is part of the set. The Speedster OR also comes complete with the new i-Sight system.



HELIX TRACKER CAMO OR

The tracker is a professional variation specifically for tracking of wounded game. It comes complete with a 47 cm long short semi-weight barrel, i-Sight system, 5-round magazine and a rubber ball bolt handle for fast reloading. With a classic synthetic stock in anthracite or in camouflage-orange (CAMO OR). The sling with push-button swivel is located in the middle of the butt stock and on the end of the muzzle which allows for transporting the rifle (using the "backpack" principle).





HELIX EXPLORER

The Explorer is the Helix with the synthetic stock - for use in tough everyday hunting conditions. The fibreglass-reinforced composite stock material is in a dark shade of anthracite and has a soft-grip surface. The soft, low-noise material ensures a firm grip even at low temperatures. At the same time, it also has a system-compatible design: the wooden and synthetic stocks are interchangeable. Whether standard barrel or semi-weight barrels - the fore-end of the Explorer always fits while allowing the barrel to float free. The Explorer also comes complete with the new i-Sight system.



HELIX ALPINIST

Designed for accurate and long-range shots: the Helix Alpinist doesn't just cut a fine figure in mountain hunting. The optional bipod (adapter as standard) acts as a stable rest in all terrains. And because it is the stock: the smooth adjustable cheek piece allows for a quick, safe and always reproducible shooting position - a functional treat for the accurate shot and the fast driven hunt. The Alpinist also comes complete with the new i-Sight system.



HELIX ALPINIST GREEN

The precision rifle Alpinist Green is equipped with a synthetic stock in classic green and integrates the advantages of the Alpinist: an optional bipod for a stable rest in any terrain (adapter is standard) and the freely adjustable cheek piece with knurled screws - for a quick and reproducible aim. Ideal for precise and far shots. Not least because of the highly praised crisp trigger of the Helix. The Alpinist also comes complete with the new i-Sight system.



HELIX BLACK

The black model in the Helix range is completely fitted out, and comes with an black aluminium action. With wooden stock and driven hunt sights. Available in wood-classes 2 to 10. The Black also comes complete with the new i-Sight system.



HELIX NOBLESSE

The Noblesse is the Helix for the grand hunting scene: this premium rifle will win over the connoisseur in every way. As for the wood, it is the finest rifle the Helix range has to offer. Wooden stocks from grade 8 up with filled pores, true-oil finish and red buttplate. Combined with the fluted barrel, the gun saves on weight and exudes class. And the fine touches: the small pistol-grip cap and the fore-end, with the characteristic Merkel snobble tip, are made of ebony. The cherry on top: gold-plated trigger and bolt head. The Noblesse also comes complete with the new i-Sight system.





HELIX ARABESQUE

The Helix with classic arabesque engraving and highly-durable aluminium action. The plain elegance of the engraving is matched by the high-grade stock wood, from grade 4 upwards. The Arabesque also comes complete with the new i-Sight system.



HELIX WILD BOAR

Wild Boar - the stylish Helix for the driven hunt. The engraving on this high-class version depicts a boar entwined with arabesques on an aluminium action. From wood class 4 to 10. The Wild Boar also comes complete with the new i-Sight system.





HELIX DELUXE

Noble and individual: Three animals at buyers option are hand-engraved by the Suhl engravers into the system casing of the Helix Deluxe - together with leaves or arabesques. Finest Turkish walnut wood (woodclass 7 or higher) is used to make the stock of this rifle - including ebony finishes on the fore-end and the pistol grip. The trigger is gold plated, the lower system and the magazine are also richly engraved. The fluted barrel finally makes the Deluxe to a functioning valuable. The Deluxe also comes complete with the new i-Sight system.





HELIX LADY DS



HELIX LADY DS

Finally, also with a special stock for the female shooting position: The Helix is a specialist driven hunt rifle and can impress with the closed system housing. The new DS stock corresponds perfectly with this function and allows safe bolt action firing. The Lady DS also comes complete with the new i-Sight system.



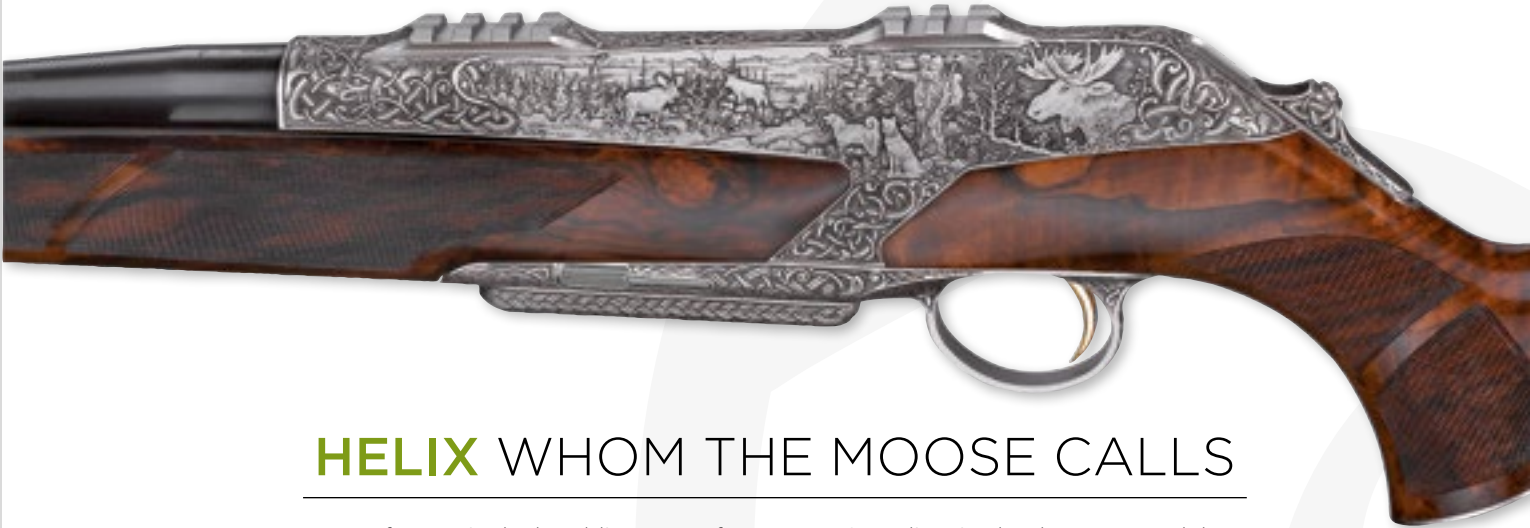
HELIX LADY DS NOBLESSE

Finest wood for the great stage of the social hunts: the Noblesse versions Lady DS stock shines by combining precious walnut wood and applications of ebony. Furthermore this jewel possesses a gold plated trigger. The Lady DS Noblesse also comes complete with the new i-Sight system.



HELIX BESPOKE GUNS

Bespoke work is the English term for all types of custom-made precision handcrafting. We use the term to denote the individually crafted and expertly engraved hunting rifles we build to a customer's exact specifications. It is in the nature of the Helix to adapt to its owner's needs: this philosophy is upheld in the handcrafted details of the Bespoke Guns.



HELIX WHOM THE MOOSE CALLS

Moose feature in the heraldic crests of numerous Scandinavian landscapes – and there is now a magnificent rifle to match. “Whom the moose calls” is the Helix with hand-etched Scandinavian engravings. Intertwining vines, moss and moose antlers – a mystic arrangement that is dedicated to both the world's largest deer and the moose hunt. A wonderfully processed piece of duraluminium, an exceptional gun for one of the most stunning hunts in the world. The rounded fore-end of the “Moose” has an ebony finish. The pistol grip is hand-engraved, the buttstock has the typical Helix cheek piece with integrated sling swivel and a black Pachmayr recoil pad.





HELIX SPIRIT OF THE EDELWEISS

For a lot of hunters, the alpine hunt is the highest thing on earth – in both senses. The engravings of this unusual premium Helix display the heraldic flower of the Alps, as well as the flora and fauna of the central European high mountain range. Moufflon, chamois, royal stag – living in harmony – united in artistically etched engravings from the Suhl manufactory. There is also an engraved quarter rail with fixed sights, a folding sight notch and a luxury wooden ball. The buttstock with hogback comb and Bavarian cheek piece has a pistol grip with handmade engravings and carved with edelweiss motifs. The sling swivel is inserted in the buttstock. The rounded fore-end opens into in a Schnabel.



HELIX BARRELS AND BARREL CONTOURS

Four different barrel lengths, different barrel contours: there are numerous ways to customise your individual Helix to suit your particular needs. Fluted barrels reduce weight and transmit heat better, muzzle brakes reduce recoil and muzzle flash.

► The **TOTAL LENGTH** of the Helix with a standard barrel length of 56 cm is 107 cm ► **WEIGHT** from approx. 2.9 kg



STANDARD BARREL \varnothing 17 mm with i-Sight system



SEMI-WEIGHT-BARREL \varnothing 19 mm with i-Sight system

Barrel length 610 mm

Barrel length 560 mm

Barrel length 510 mm

Barrel length 470 mm

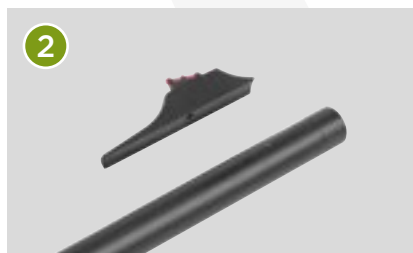


FLUTED BARREL (standard and semi-weight) available with i-Sight system

NOW STANDARD WITH THE HELIX i-SIGHT SYSTEM



1



2



3

- 1 Front and rear sight are each fixed with a single standard 'Allen key' screw.
- 2 The front and rear sight can be completely detached. Threaded grub-screws cover the boreholes.
- 3 The front sight is fixed to the rear position – the muzzle thread is free to be used.

BARREL DIAMETER 17 mm

		BARREL DIAMETER 17 mm					
BARREL LENGTH ▶		510 mm		560 mm		610 mm	
DETACHABLE SIGHTS ▶		with		with		with	
MUZZLE THREAD M15x1 ▶		with		with		with	
GEOMETRY ▶		round	fluted	round	fluted	round	fluted
MINI	.222 Rem.			●	○		
	.223 Rem.			●	○		
STANDARD	.243 Win.			●	○		
	.270 Win.			●	○		
	7x64			●	○		
	.308 Win.	○	○	●	○		
	.30-06 Spring.	○	○	●	○		
	8x57IS	○	○	●	○		
	9,3x62	○	○	●	○		
MAGNUM	7 mm Rem.Mag.					●	○
	.300 Win.Mag.					●	○

● standard ○ optional

BARREL DIAMETER 19 mm

		BARREL DIAMETER 19 mm						
BARREL LENGTH ▶		470 mm	510 mm		560 mm		610 mm	
DETACHABLE SIGHTS ▶		with	with		with		with	
MUZZLE THREAD M15x1 ▶		with	with		with		with	
GEOMETRY ▶		round	round	fluted	round	fluted	round	fluted
MINI	.222 Rem.				○	○		
	.223 Rem.				○	○		
STANDARD	.243 Win.	▲ ○			○	○		
	.270 Win.	▲ ○			○	○		
	7x64	▲ ○			○	○		
	.308 Win.	▲ ○	○	○	○	○		
	.30-06 Spring.	▲ ○	○	○	○	○		
	8x57IS	▲ ○	○	○	○	○		
	9,3x62	▲ ○	○	○	○	○		
MAGNUM	7 mm Rem.Mag.						○	○
	.300 Win.Mag.						○	○
	.338 Win.Mag.						●	○

● standard ○ optional ▲ standard for the Helix Tracker



HELIX ACCESSORIES



3- OR 5-ROUNDS MAGAZINE

Helix magazines are made of steel sheet and the handle is covered with moulded plastic to protect against scratching. The available items are the basic magazine (3-rounds) and a high-firepower 5-rounds variant - ideal for driven hunts. The 5-rounds magazine is not available for mini and magnum calibres. As an option, the magazine butt can also be engraved in the Merkel manufactory.



MUZZLE BREAK

The M15x1 threaded muzzle break reduces muzzle flash and recoil.



HLX SUPPRESSOR

The over-barrel suppressor has an M15x1 thread and a sound moderation value of at least 32.7 dB(C) in most standard calibres. The HLX Suppressor has been developed in Switzerland in close cooperation with the Merkel system partner B&T (Switzerland).



BOLT HEAD

When changing from one calibre group to another, the bolt head must also be changed. Safety effect: when this is removed the rifle is protected against unauthorised use.



MUZZLE SLING SWIVEL

The Muzzle sling swivel, fitting to the i-Sight System, is screwed onto the muzzle thread, the swivel is pointing left. Available as accessory. Only with semi-weight barrels and i-Sight system compatible.



RIFLE SLING

Rifle sling from heavily-grained bison leather. The strap is 105 cm long, 5 cm wide in the carrying area and padded with neoprene.



HELIX SPEEDSTER KNIFE

The knife that matches perfectly with the SpeedStock. The grip of this knife has the same exceptional qualities as that of the Speedster. Made in Germany with Solingen Steel.



HELIX SPEEDSTER KNIFE OR

A special, limited edition of the new Speedster knife. Only available with the purchase of the new Helix Speedster OR.



HELIX SPEEDSTER STOCK SET

Our famous Speedster stock & fore-end is now available as a replacement set to upgrade your existing rifle to the ergonomic adjustable stock for fast reloading and accurate shooting.



HELIX SPEEDSTER BUTTPLATES

Buttplates to compensate the stock length. Using those, the stock can be adjusted to the height or the thickness of the clothes worn. Stock length from 360 mm to 373 mm.



LARGE HARD PROTECTIVE CASE

The large Helix hard protective case with grip hollow. The case for barrel changing – offers space for a dismantled Helix, two scopes, two barrels and a host of utensils for the hunting trip. Lockable with three combination locks.



SMALL HARD PROTECTIVE CASE

The small Helix hard protective case with grip hollow. The robust case for transporting a dismantled Helix with scope and hunting utensils. Lockable with three combination locks.



LARGE RIFLE CASE

The large Helix rifle case with leather edging and strap mounting. The stylish case for barrel changing – offers space for a dismantled Helix, two scopes, two barrels and a host of utensils for the hunting trip. Lockable with two combination locks.



SMALL RIFLE CASE

The small Helix rifle case with leather edging and strap mounting. The stylish case – offers space for a dismantled Helix, for scope and a host of hunting utensils. Lockable with two combination locks.



SOFT CASE

For quickly transporting the Helix: Padded case with leather corner guards. With shoulder strap and handle, lockable.



MERKEL GEAR

HUNTING APPAREL AND EQUIPMENT





SUCCESS IN LAYERS

Contemporary and traditional materials combine in one apparel system

A new professional system of apparel and equipment: Merkel's all-round layer system is suitable for the entire hunting spectrum, from high seat hunting to more demanding mountain stalking all over the world.

The hunting apparel is the only thing between the hunter and the environment. A hunt is held whether the temperature is very low or very high. Irrespective the conditions, the hunter must be able to move silently and without restriction – especially when taking aim. There is a lot of hunting apparel and hunting equipment to choose from – in all price categories. Merkel Gear aims to combine an excellent price-quality ratio with exceptional functionality and a sustainable value chain. Typical Merkel: Traditional and trusted materials are combined with the latest brand membranes to a system. The result is a year-round, all-in-one system with previously unknown versatility from infinite combinations.

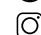
System apparel by experts for practical use

The Merkel Gear hunting apparel system consists of several thin, compatible layers. Each of the up to five layers has a special place in the system. Only the best: Merkel Gear trusts in 37.5 Technologie™ by Cocona, which has established itself in the field of functional textile for sport.

Unique in the world: this technology encompasses all the layers in the system and not just the outer membrane. The clothes are manufactured wherever possible in accordance with the principles of sustainability (ecology, economy, social). They are made to last and generally to workwear standards, an almost unique situation in the field of hunting apparel. Load-bearing seams are at least double – if not threefold – and sewn with heavy duty thread. We also use only brand names such as YKK for applications such as stoppers and zippers. Merkel Gear is synonymous with products in which hunters take much pleasure for many years. Products throughout the entire year. The system can be combined in any number of ways making it universally functional. Whether for the more passive high seat hunting or the arduous mountain stalking.

MERKEL
∞ GEAR
GO BEYOND HUNTING

 www.merkel-gear.com

 www.instagram.com/merkelgear



MERKEL



Merkel Jagd- und Sportwaffen GmbH
Schützenstraße 26 / D-98527 Suhl
Tel. +49-(0)-3681-854-0 / Fax -203
www.merkel-die-jagd.de